

Part number:

60101-0101

Copyright

© 2012, FLIR Systems, Inc.

All rights reserved worldwide. Names and marks appearing herein are either registered trademarks or trademarks of FLIR Systems and/or its subsidiaries. All other trademarks, trade names or company names referenced herein are used for identification only and are the property of their respective owners.

September 24, 2012, 11:17 PM

Corporate Headquarters

FLIR Systems, Inc.
27700 SW Parkway Ave.
Wilsonville, OR 97070
USA
Telephone: +1-503-498-3547

Website

<http://www.flir.com>

Customer support

<http://support.flir.com>

Legal disclaimer

Specifications subject to change without further notice. Camera models and accessories subject to regional market considerations. License procedures may apply.

Information and equipment described herein may require US Government authorization for export purposes. Diversion contrary to US law is prohibited.

FLIR Commercial Systems B.V.

Charles Petitweg 21
4847 NW Breda
The Netherlands
Phone: +31 (0) 765 79 41 94
Fax: +31 (0) 765 79 41 99
E-mail: flir@flir.com
Web: <http://www.flir.com>

FLIR Systems Sweden

Phone: +46 (0)8 753 25 00
Fax: +46 (0)8 753 23 64
E-mail: flir@flir.com
Web: <http://www.flir.com>

FLIR Systems Germany

Phone: +49 (0)69 95 00 900
Fax: +49 (0)69 95 00 9040
E-mail: flir@flir.com
Web: <http://www.flir.com>

FLIR Advanced Thermal Solutions France

Phone: +33 (0)1 60 37 01 00
Fax: +33 (0)1 64 11 37 55
E-mail: flir@flir.com
Web: <http://www.flir.com>

FLIR Systems UK

Phone: +44 (0) 1732 220 011
Fax: +44 (0) 1732 220 014
E-mail: flir@flir.com
Web: <http://www.flir.com>

FLIR Systems Italy

Phone: +39 (0)2 99 45 10 01
Fax: +39 (0)2 99 69 24 08
E-mail: flir@flir.com
Web: <http://www.flir.com>

FLIR Systems Spain

Phone: +34 91 490 40 60
Fax: +34 91 662 97 48
E-mail: flir@flir.com
Web: <http://www.flir.com>

FLIR Systems Middle East

Phone: +971 4 299 6898
Fax: +971 4 299 6895
E-mail: flir@flir.com
Web: <http://www.flir.com>

FLIR Systems Belgium

Phone: +32 (0)3 287 87 10
Fax: +32 (0)3 287 87 29
E-mail: flir@flir.com
Web: <http://www.flir.com>



Imaging and optical data

IR resolution	60 × 60 pixels
Thermal sensitivity/NETD	< 0.15°C (0.27°F) / 150 mK
Field of view (FOV)	12.5° × 12.5°
Minimum focus distance	0.6 m (2 ft.)
Spatial resolution (IFOV)	3.7 mrad
Image frequency	9 Hz
Focus	Focus free

Detector data

Detector type	Focal plane array (FPA), uncooled microbolometer
Spectral range	7.5–13 μm

Image presentation

Display	2.8 in. color LCD
Image adjustment	Automatic adjust/lock image

Measurement

Object temperature range	−20°C to +250°C (−4°F to +482°F)
Accuracy	±2°C (±3.6°F) or ±2% of reading, for ambient temperature 10°C to 35°C (+50°F to 95°F) and object temperature above +0°C (+32°F)

Measurement analysis

Spotmeter	Center spot
Emissivity correction	Variable from 0.1 to 1.0
Emissivity table	Emissivity table of predefined materials
Reflected apparent temperature correction	Automatic, based on input of reflected temperature

Set-up

Color palettes	Black and white, iron and rainbow
Set-up commands	Local adaptation of units, language, date and time formats

Storage of images

Storage media	miniSD card
File formats	Standard JPEG, 14-bit measurement data included

Data communication interfaces

Interfaces	USB Mini-B: Data transfer to and from PC
------------	--

P/N: 60101-0101

© 2012, FLIR Systems, Inc.
All rights reserved worldwide.

Power system

Battery type	Rechargeable Li Ion battery
Battery voltage	3.6 V
Battery operating time	Approx. 5 hours at +25°C (+77°F) ambient temperature and typical use
Charging system	Battery is charged inside the camera.
Charging time	3 h to 90% capacity
Power management	Automatic shut-down
AC operation	AC adapter, 90–260 VAC input, 5 VDC output to camera

Environmental data

Operating temperature range	0°C to +50°C (+32°F to +122°F)
Storage temperature range	–40°C to +70°C (–40°F to +158°F)
Humidity (operating and storage)	IEC 60068-2-30/24 h 95% relative humidity
EMC	<ul style="list-style-type: none"> EN 61000-6-2:2005 (Immunity) EN 61000-6-3:2007 (Emission) FCC 47 CFR Part 15 Class B (Emission)
Encapsulation	Camera housing and lens: IP 43 (IEC 60529)
Bump	25 g (IEC 60068-2-29)
Vibration	2 g (IEC 60068-2-6)
Drop	2 m (6.6 ft.)

Physical data

Camera weight, incl. battery	0.365 kg (0.80 lb.)
Camera size (L x W x H)	223 x 79 x 85 mm (8.8 x 3.1 x 3.4 in.)
Material	Polycarbonate + acrylonitrile butadiene styrene (PC-ABS) Thixomold magnesium Thermoplastic elastomer (TPE)
Color	Black and gray

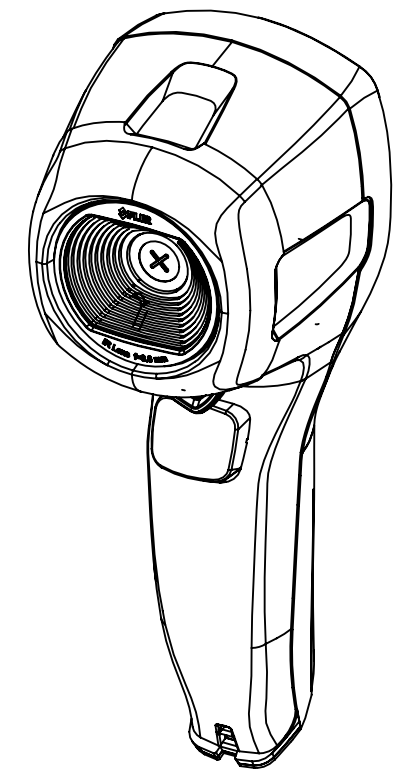
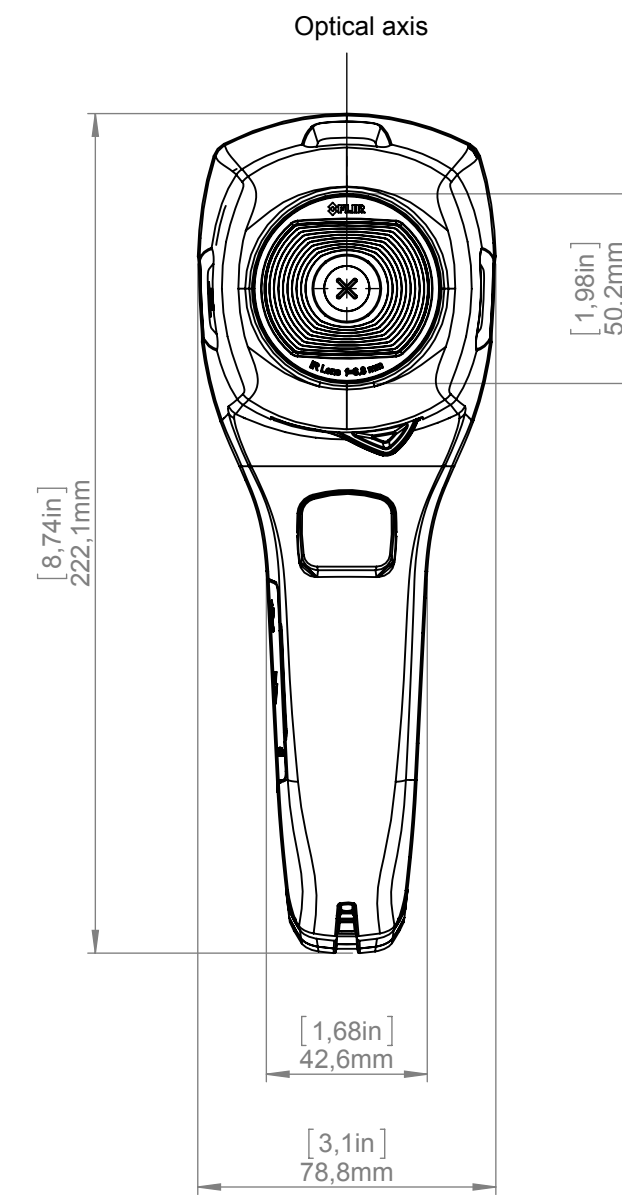
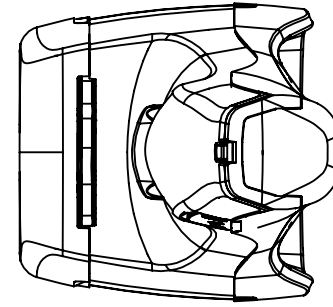
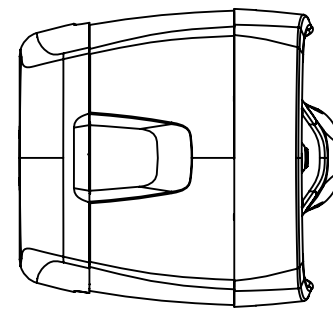
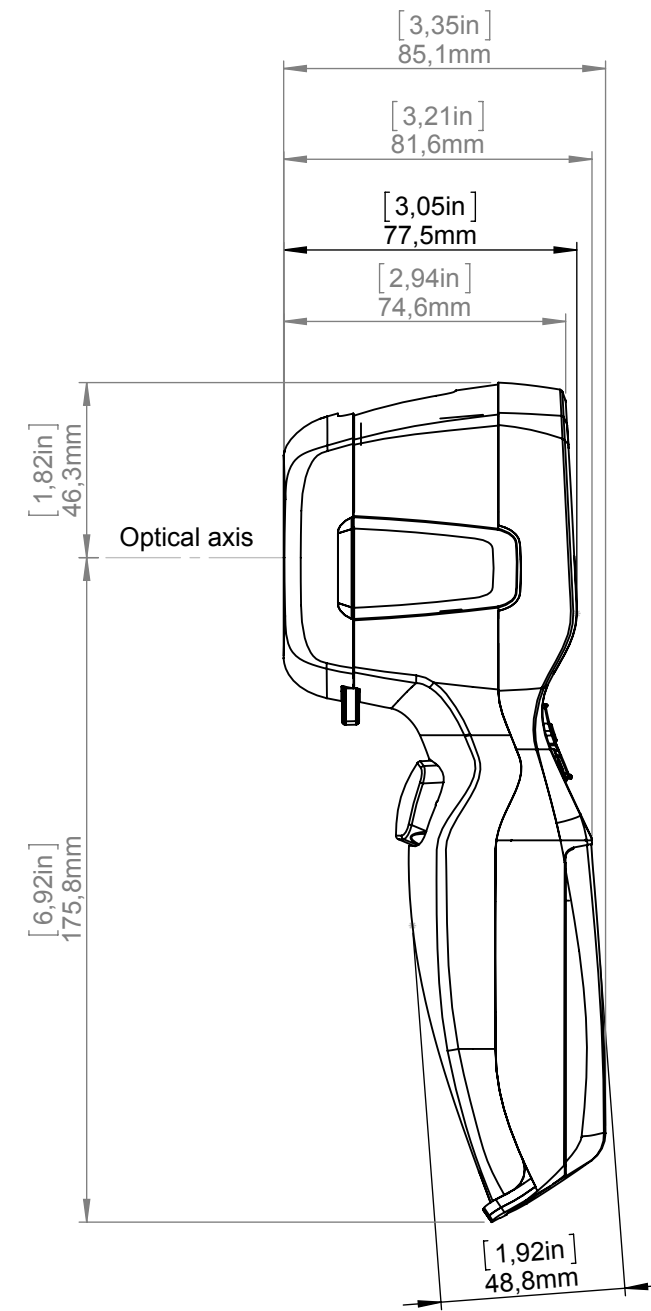
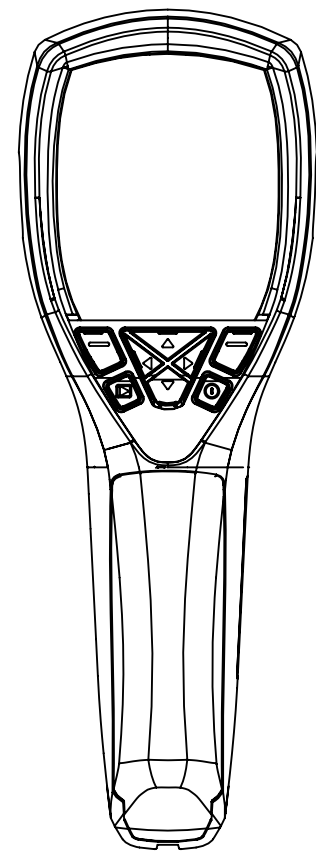
Certifications

Certification	UL, CSA, CE, PSE and CCC
---------------	--------------------------

Shipping information

Packaging, type	Hard case
	<ul style="list-style-type: none"> Hard transport case Infrared camera Battery (inside camera) Calibration certificate Downloads brochure FLIR Tools software miniSD card, with SD card adapter Power supply/charger with EU, UK, US and Australian plugs Printed Getting Started Guide Printed Important Information Guide Service & training brochure USB cable User documentation CD-ROM Warranty extension card

Camera with built-in IR lens f=6,8 mm (i3 12,5°)
 Camera with built-in IR lens f=6,8 mm (i5 17°)
 Camera with built-in IR lens f=6,8 mm (i7 25°)



© 2012 FLIR Systems, Inc. All rights reserved worldwide. No part of this drawing may be reproduced, stored in a retrieval system, or transmitted in any form, or by any means, electronic, mechanical, photocopying, recording, or otherwise, without the prior written permission of FLIR Systems, Inc. Specifications subject to change without notice. Dimensional data is based on nominal values. Products may be subject to regional market considerations. License procedures may apply. Product may be subject to US Export Regulations. Please refer to exportquestions@flir.com with any questions. Diversion contrary to US law is prohibited.

Modified 2012-04-19	Check CAHA	Drawn by R&D Thermography	
Denomination			
Basic dimensions FLIR ix			Size A3 Scale 1:2 Drawing No. T127628 Sheet 1(1) Size A