

## Engineering Sample Specifications

**CUSTOMER** :  
**DESCRIPTION** : **MagLev Motor Fan**  
**DIMENSIONS** : **10X10X5 mm**  
**MODEL** : **UF3A5-100**  
**P/N** :

<b>ENGINEER</b>	<i>Chou</i>	<b>APPROVAL</b>	<i>yjm 6/13</i>
<b>SSR NO.</b>	<b>KT09600020</b>	<b>ISSUE DATE</b>	<b>06.11.2007</b>
<b>建準電機工業股份有限公司</b> <b>SUNONWEALTH ELECTRIC MACHINE INDUSTRY CO., LTD</b> <b>TEL:886-7-7163069(41 LINES)</b> <b>FAX:886-7-7163086/87/88</b> <b>WEB PAGE : <a href="http://www.sunon.com.tw">http://www.sunon.com.tw</a></b>			

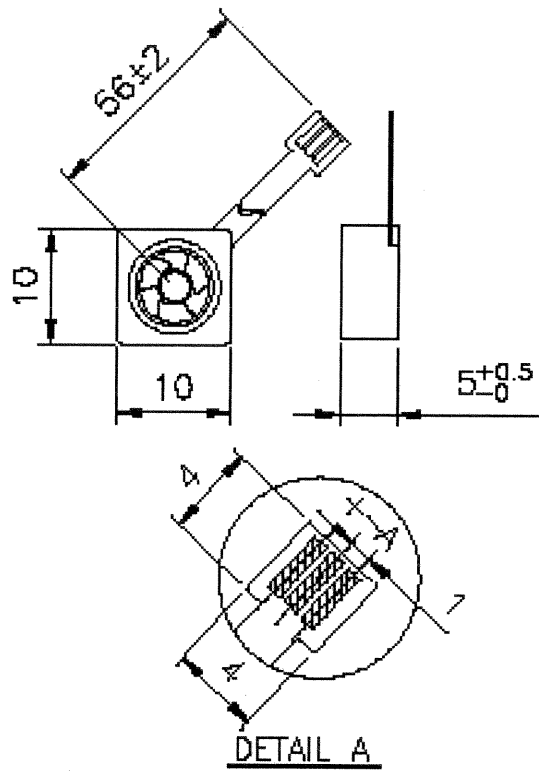
## 1. Construction

<b>MOTOR DESIGN</b>	DC brushless 6 pole motor design.
<b>BEARING SYSTEM</b>	Vapo bearing system
<b>DIMENSIONS</b>	See Page 4
<b>MATERIALS OF FRAME</b>	Thermoplastic LCP A130
<b>MATERIALS OF FAN BLADE</b>	Thermoplastic LCP A130
<b>DIRECTION OF ROTATION</b>	Counter-clockwise viewed from front of fan blade
<b>Tolerance</b>	±15% on rated power and current.
<b>WEIGHT</b>	0.68g

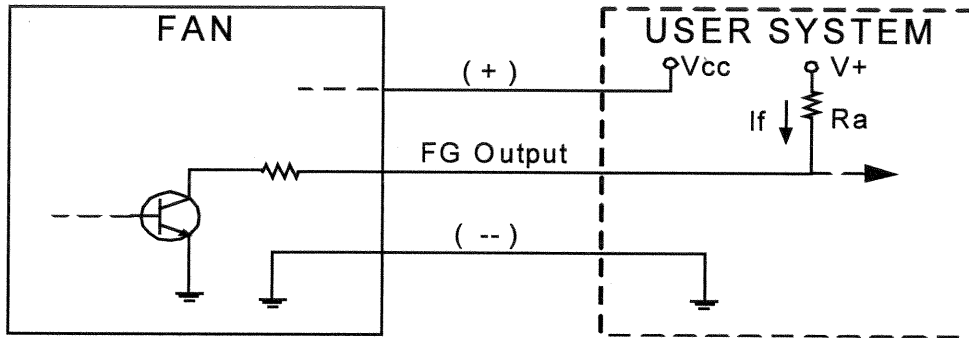
## 2. Rating

<b>RATED VOLTAGE</b>	3 VDC
<b>STARTING VOLTAGE</b>	2.2 VDC (25 deg. C POWER ON/OFF)
<b>OPERATING VOLTAGE RANGE</b>	2.2~3.5 VDC
<b>RATED CURRENT</b>	68 mA
<b>RATED POWER CONSUMPTION</b>	0.20 WATTS
<b>AIR FLOW</b>	0.90 l/min
<b>STATIC PRESSURE</b>	3.74 Pa
<b>ACOUSTIC NOISE / 30cm</b>	7.7 dB(A)
<b>RATED SPEED</b>	12000 RPM ± 30%
<b>OPERATING TEMPERATURE</b>	-10 to + 70 deg. C
<b>STORAGE TEMPERATURE</b>	-40 to + 70 deg. C

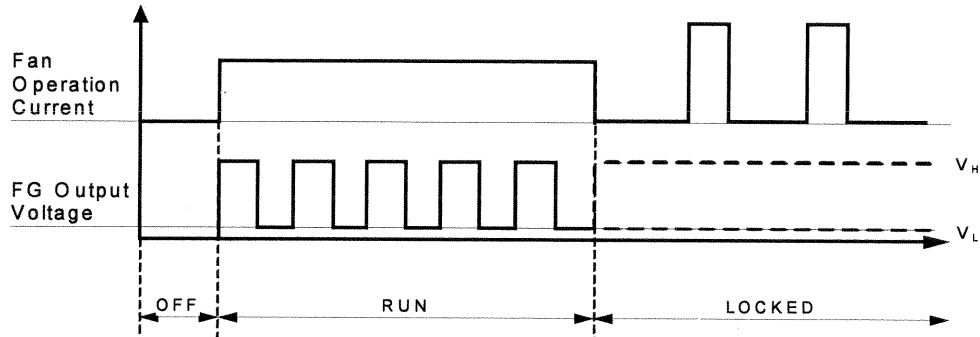
### 3. Dimensions



## 4. FG Signal



$$*Ra \geq V^+ / I_f (\text{max})$$



★Electrical Characteristics : ( at Ta = 25°C )

Parameter	Ratings			Unit
	min	typ.	max	
FG Supply Voltage(V+)	2.2	--	6	Voltage
FG Output Current (If)	5	--	10	mA
FG Output (VL)	--	0.25	0.4	Voltage
FG Output (VH)	2.2	--	--	Voltage

## 5. Performance curve

