

# Engineering Sample Specifications

**CUSTOMER** :  
**DESCRIPTION** : **MagLev Motor Fan**  
**DIMENSIONS** : **15X15X3 mm**  
**MODEL** : **UF3F3-100**  
**P/N** :

<b>ENGINEER</b>	S. G. T. 6/12	<b>APPROVAL</b>	zjun 6/12
<b>SSR NO.</b>	<b>KT09600200</b>	<b>ISSUE DATE</b>	<b>06.11.2007</b>
建準電機工業股份有限公司 SUNONWEALTH ELECTRIC MACHINE INDUSTRY CO., LTD TEL:886-7-7163069(41 LINES) FAX:886-7-7163086/87/88 WEB PAGE : <a href="http://www.sunon.com.tw">http://www.sunon.com.tw</a>			

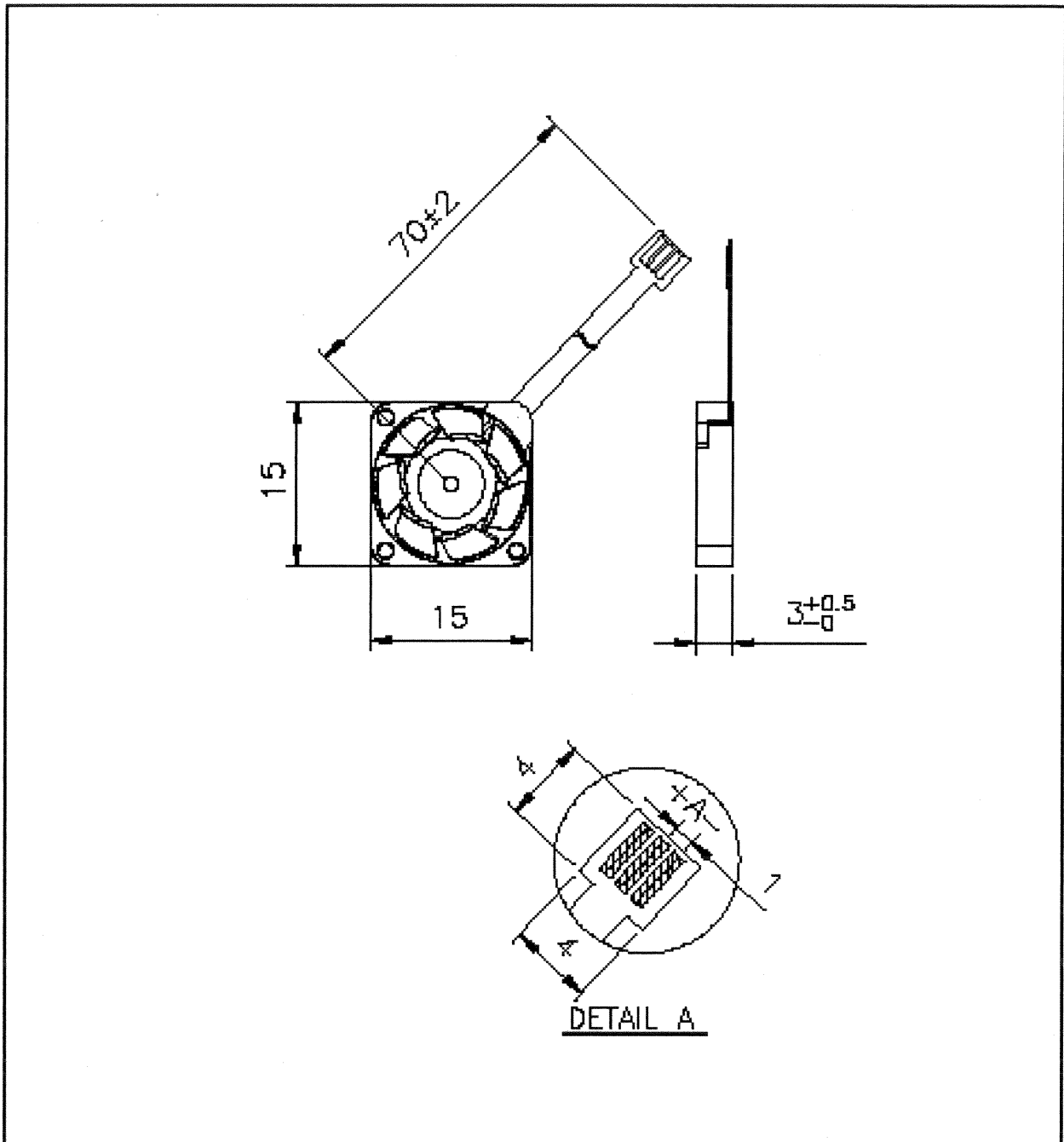
# 1. Construction

<b>MOTOR DESIGN</b>	DC brushless 4 pole motor design.
<b>BEARING SYSTEM</b>	Vapo bearing system
<b>DIMENSIONS</b>	See Page 4
<b>MATERIALS OF FRAME</b>	Thermoplastic LCP A130
<b>MATERIALS OF FAN BLADE</b>	Thermoplastic LCP A130
<b>DIRECTION OF ROTATION</b>	Counter-clockwise viewed from front of fan blade
<b>Tolerance</b>	±15% on rated power and current.
<b>WEIGHT</b>	0.76g

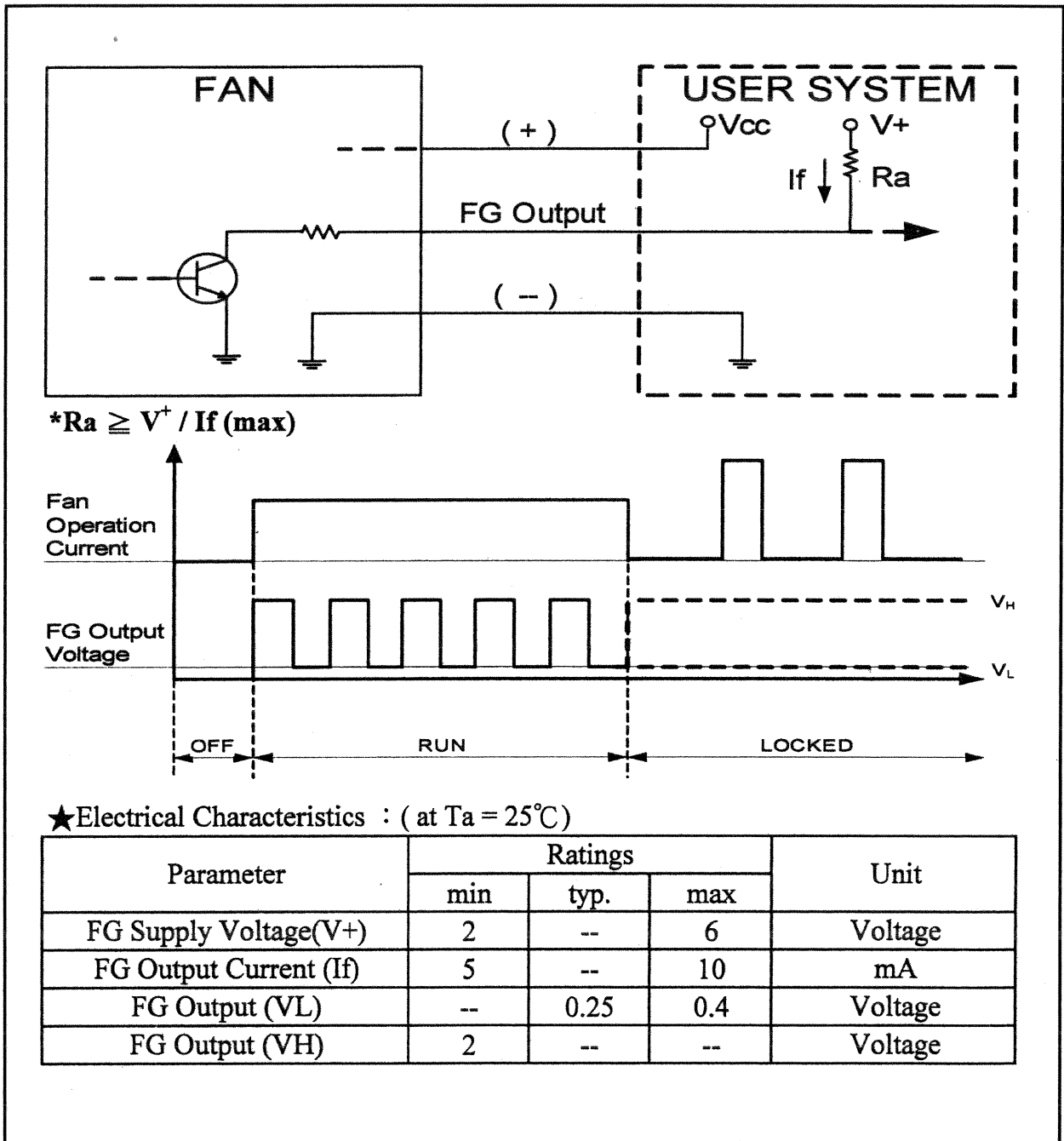
# 2. Rating

<b>RATED VOLTAGE</b>	3 VDC
<b>STARTING VOLTAGE</b>	2.0 VDC (25 deg. C POWER ON/OFF)
<b>OPERATING VOLTAGE RANGE</b>	2.0 ~ 3.5 VDC
<b>RATED CURRENT</b>	29 mA
<b>RATED POWER CONSUMPTION</b>	0.09 WATTS
<b>AIR FLOW</b>	5.80 l/min
<b>STATIC PRESSURE</b>	13.7 Pa
<b>ACOUSTIC NOISE / 30cm</b>	16.8 dB(A)
<b>RATED SPEED</b>	10000 RPM ± 30%
<b>OPERATING TEMPERATURE</b>	-10 to + 70 deg. C
<b>STORAGE TEMPERATURE</b>	-40 to + 70 deg. C

### 3. Dimensions



## 4. FG Signal



## 5. Performance curve

