

Engineering Sample Specifications

CUSTOMER :
DESCRIPTION : **MagLev Motor Fan**
DIMENSIONS : **9X9X3 mm**
MODEL : **UB393-10**
P/N :

ENGINEER	<i>Sgt. 3/17</i>	APPROVAL	<i>jin 3/7</i>
SSR NO.	ES0611223	ISSUE DATE	03.06.2007
建準電機工業股份有限公司 SUNONWEALTH ELECTRIC MACHINE INDUSTRY CO., LTD TEL:886-7-7163069(41 LINES) FAX:886-7-7163086/87/88 WEB PAGE : http://www.sunon.com.tw			

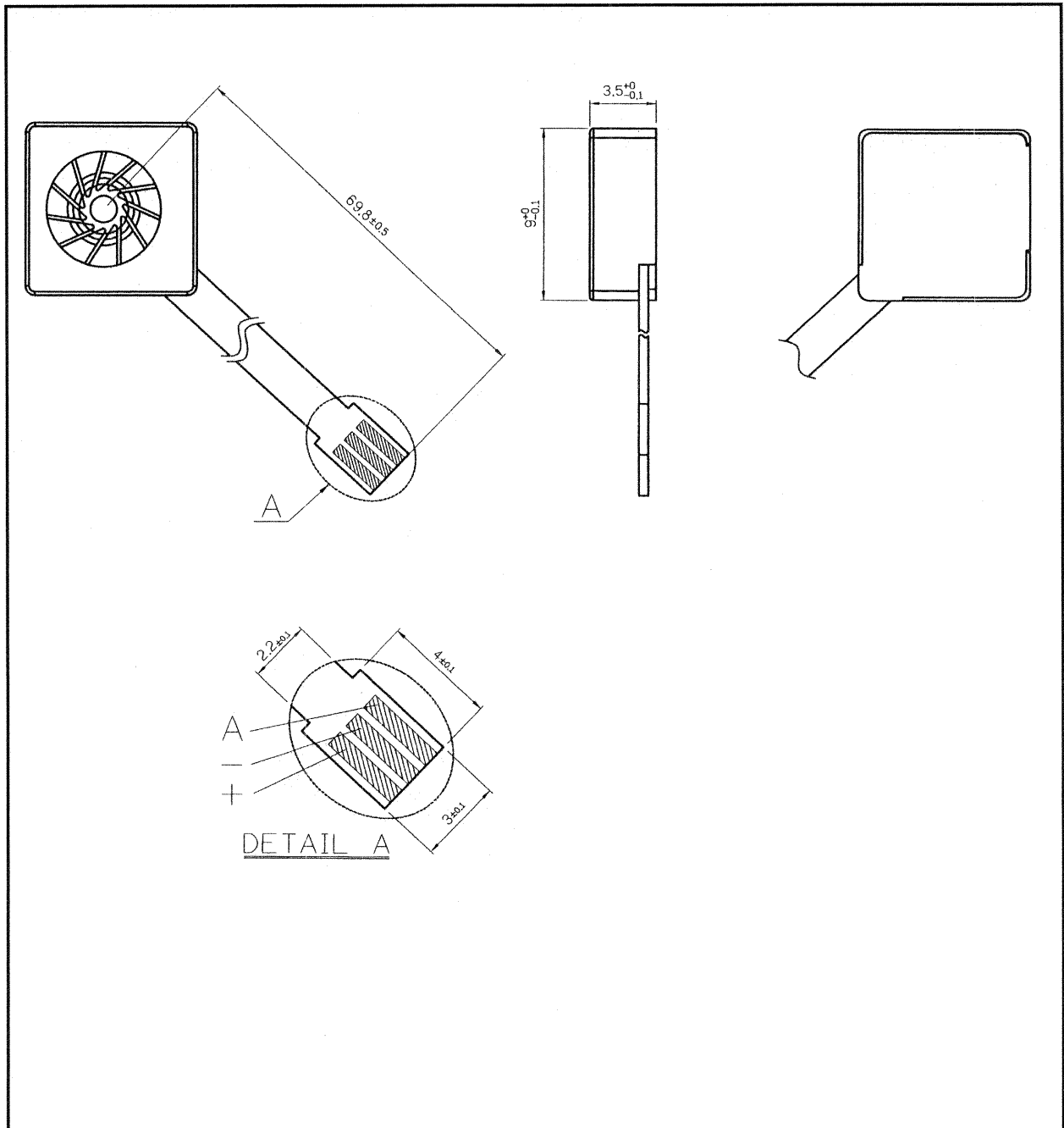
1. Construction

MOTOR DESIGN	DC brushless 4 pole motor design.
BEARING SYSTEM	Vapo bearing system
DIMENSIONS	See Page 4
MATERIALS OF FRAME	Thermoplastic LCP A130
MATERIALS OF FAN BLADE	Thermoplastic LCP A130
DIRECTION OF ROTATION	Counter-clockwise viewed from front of fan blade
Tolerance	±15% on rated power and current.
WEIGHT	0.47 g

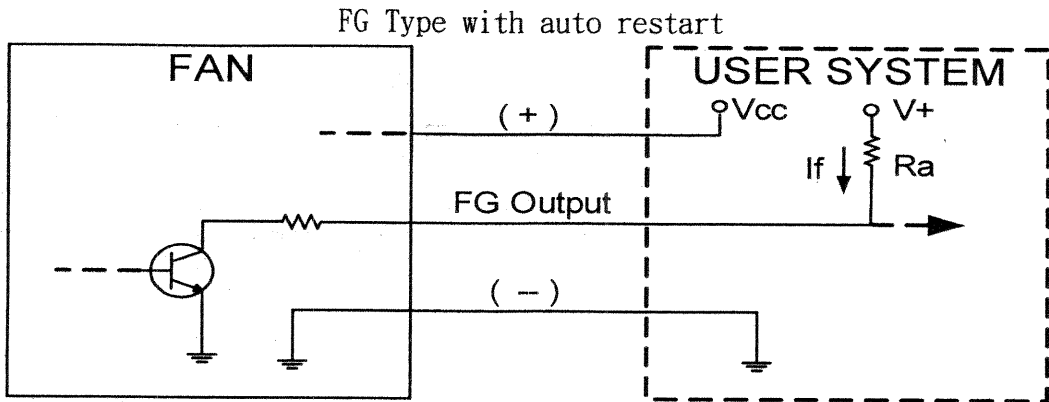
2. Rating

RATED VOLTAGE	3 VDC
STARTING VOLTAGE	1.8 VDC (25 deg. C POWER ON/OFF)
OPERATING VOLTAGE RANGE	1.8 ~ 3.5 VDC
RATED CURRENT	30 mA
RATED POWER CONSUMPTION	0.09 WATTS
AIR FLOW	0.040 CFM (1.13 l/min)
STATIC PRESSURE	0.045 Inch-H ₂ O (11.2 Pa)
ACOUSTIC NOISE / 0.05M	30 dB(A)
RATED SPEED	15000 RPM ± 30%
OPERATING TEMPERATURE	-10 to + 70 deg. C
STORAGE TEMPERATURE	-40 to + 70 deg. C

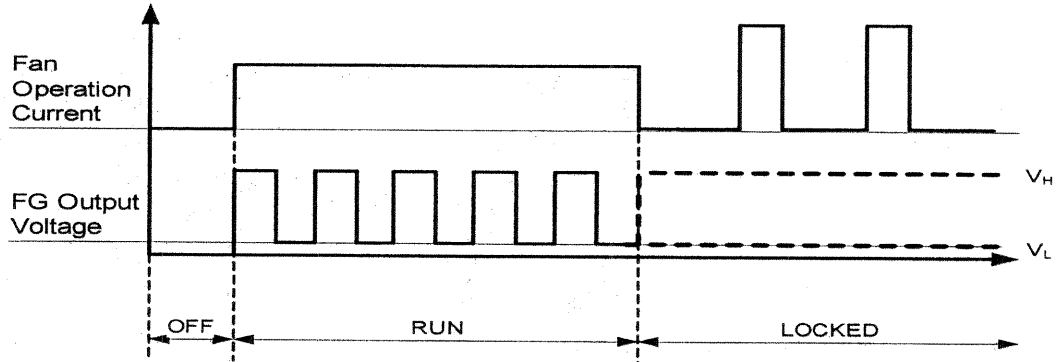
3. Dimensions



4. FG Signal



$$*Ra \geq V^+ / If(\max)$$



★Electrical Characteristics : at $T_a = 25^\circ\text{C}$

Parameter	Ratings			Unit
	min.	typ.	max.	
FG Supply Voltage(V^+)	1.8	--	6	Voltage
FG Output Current (I_f)	5	--	10	mA
FG Output (V_L)	--	0.25	0.4	Voltage
FG Output (V_H)	1.8	--	--	Voltage

5. Performance curve

