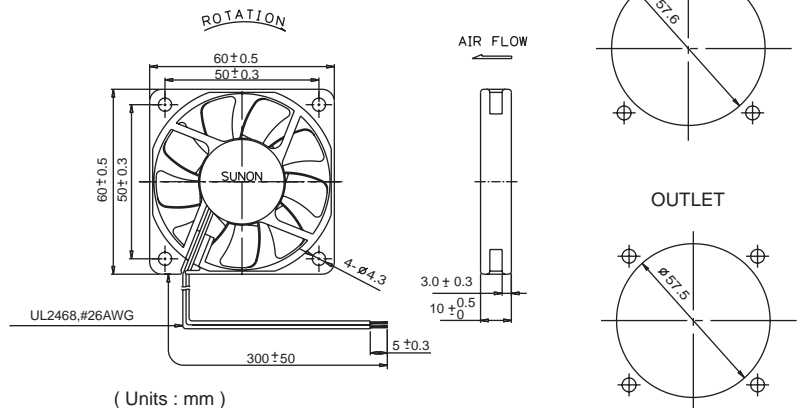
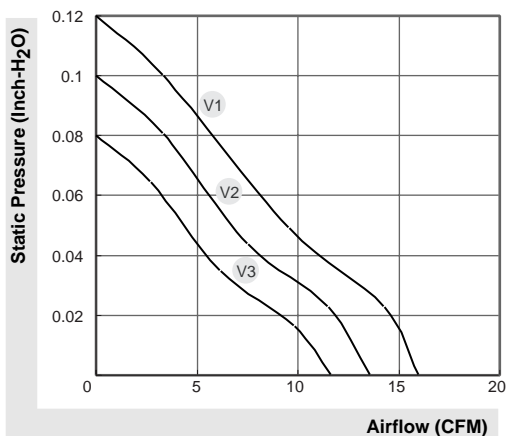


MagLev Motor Fan

11.7~16 CFM



Model	P/N	Bearing ● VAPO ⊙ 2BALL	Rating Voltage (VDC)	Power Current (AMP)	Power Consumption (WATTS)	Speed (RPM)	Air Flow (CFM)	Static Pressure (Inch-H ₂ O)	Noise (dBA)	Weight (g)
KDE1206PFV1	MS.G.(9).A.GN	●	12	0.12	1.4	4000	16.0	0.12	28.5	29
KDE1206PFV2	MS.G.(9).A.GN	●	12	0.08	1.0	3500	13.6	0.10	25.0	29
KDE1206PFV3	MS.G.(9).A.GN	●	12	0.05	0.6	3000	11.7	0.08	21.5	29



*All model could be customized on voltage or any other requirements to fit your need.

*Specifications subject to change without notice. Please Visit SUNON web site at <http://www.sunon.com> for update information.