

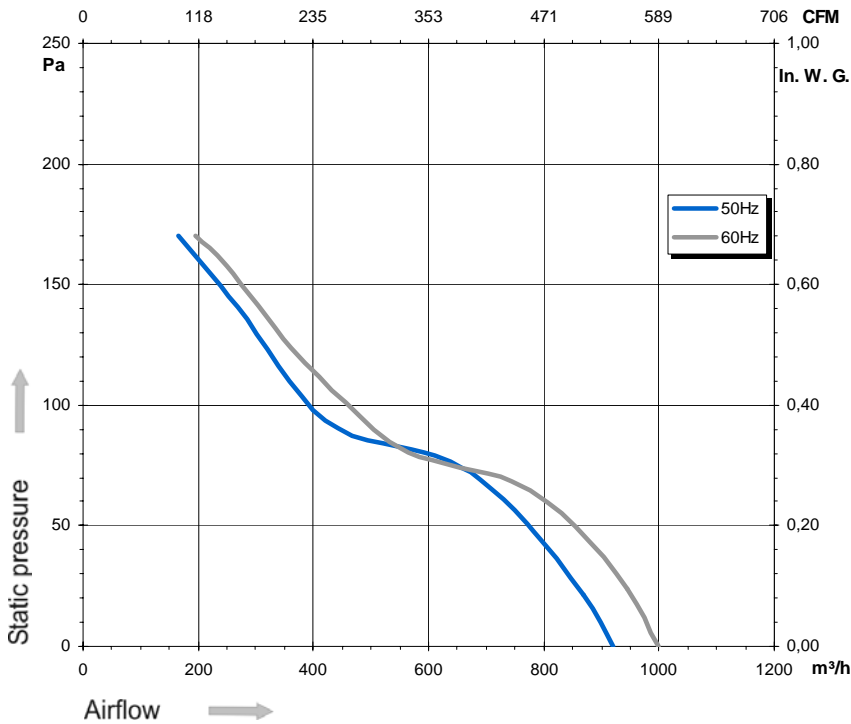
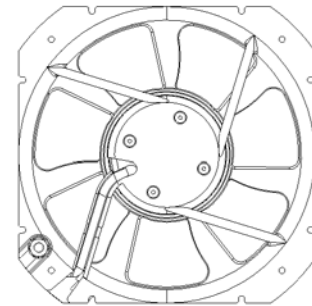
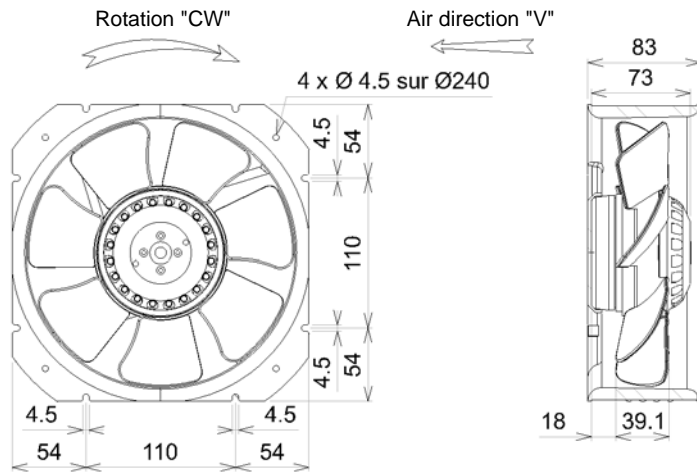
Ind. a - Revision : 09-2004

## 2VGC25 200V P/N C23-A6

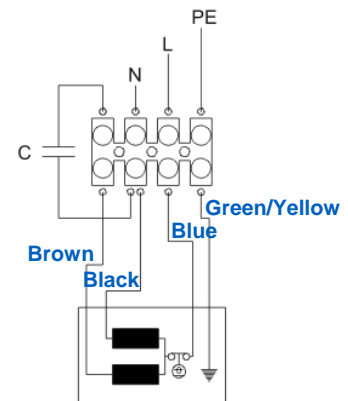
Substitute for B18-A3



Voltage	Frequency	Input power	Current	Capacitor	Airflow	Speed rotation	Noise level	Rotation direction	Operating temperature
V	Hz	Wa	A	µF	m³/h	RPM	dBA	↻	Min / Max
230	50	68	0,30	2,0	920	2 645	65	R	-20°C / +70°C
230	60	97	0,43	2,0	1 000	2 875	67	R	-20°C / +70°C



- Ball bearing
- Class F, thermally protected
- IP44 protection
- G6.3 balancing
- Plastic impeller
- Rotor : black paint
- Aluminium ring
- Capacitor fixed on the ring and wired to a connexion block



Capacitor for 50Hz    Capacitor for 60Hz    Zinc Coated

21360-0