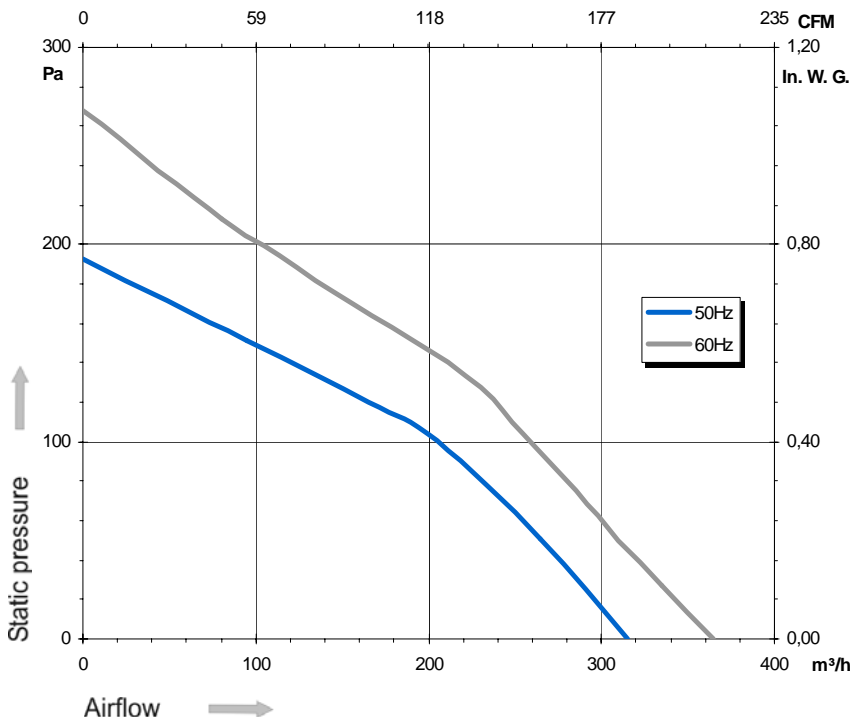
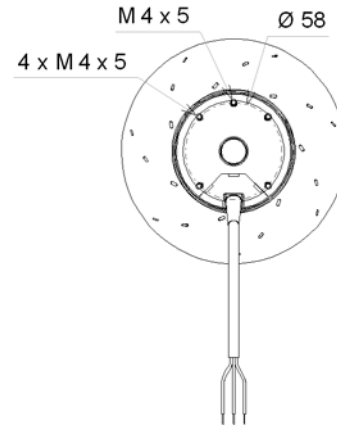
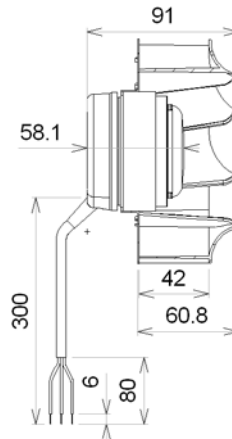
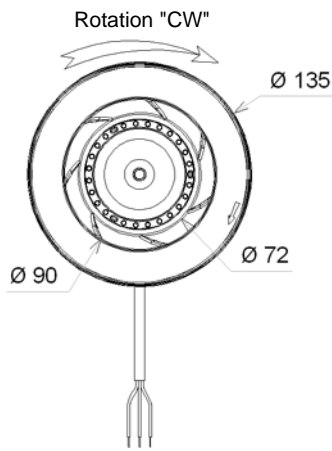
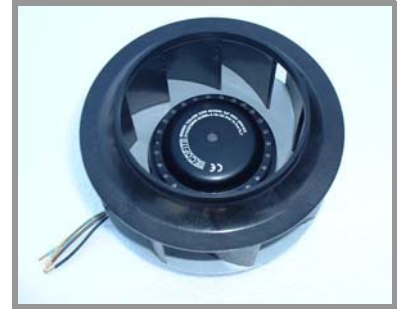


Ind. 0 - Revision : 09-2005

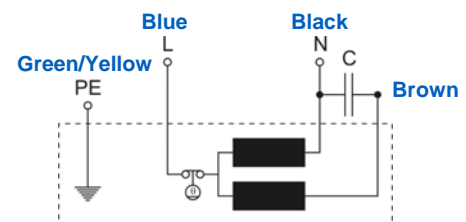
2RREA3 133x42R P/N D04-A4

Voltage	Frequency	Input power	Current	Capacitor	Airflow	Speed rotation	Noise level	Rotation direction	Operating temperature
V	Hz	Wa	A	µF	m³/h	RPM	dBA	↻	Min / Max
230	50	23	0,11	1,0	315	2 695	53	R	-20°C / +70°C
230	60	28	0,13	1,0	365	3 125	56	R	-20°C / +70°C



- Ball bearing
- Class F, thermally protected
- IP44 protection
- G2.5 balancing
- Rotor : black paint
- PP plastic impeller

Capacitor for 50Hz	Capacitor for 60Hz	Zinc Coated	Inlet cone
19040-0	19040-0	21367-a	16203-b



Non contractual document. All specifications are subject to change without prior notice. Picture for information only.