

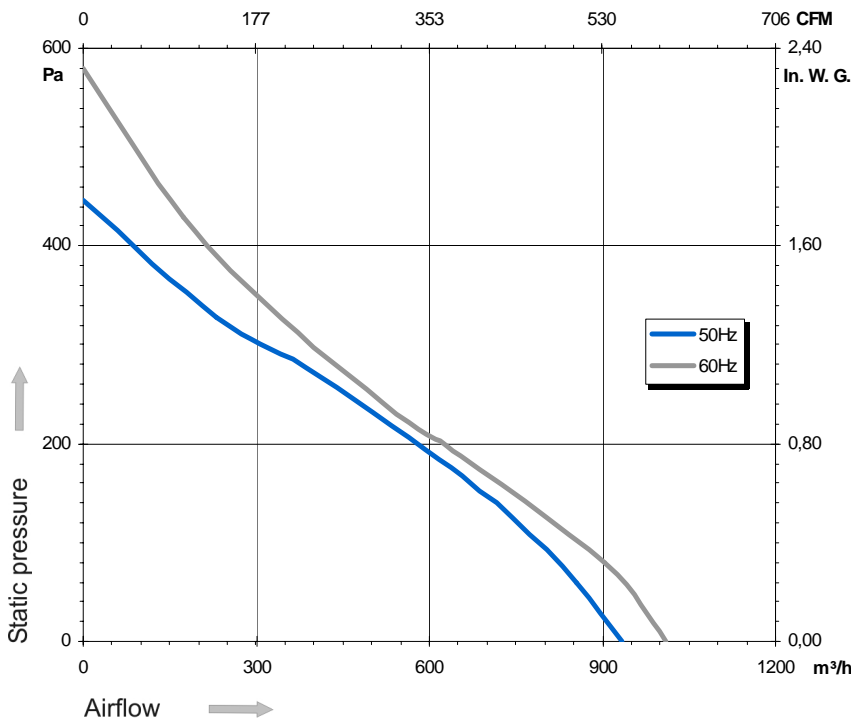
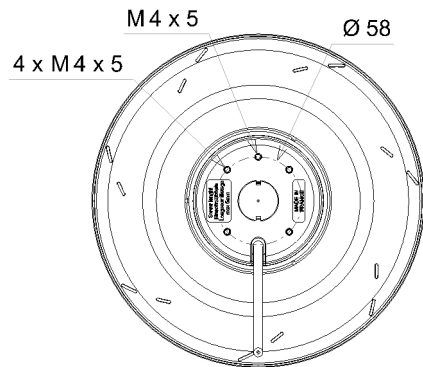
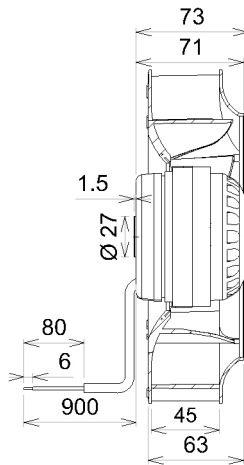
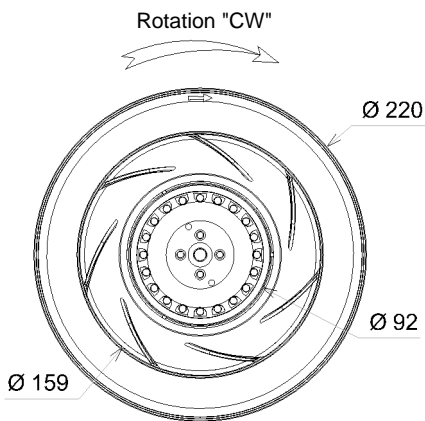
Ind. 0 - Revision : 09-2004

## 2RRE25 220x45R P/N D05-A5

Substitute for T11-01

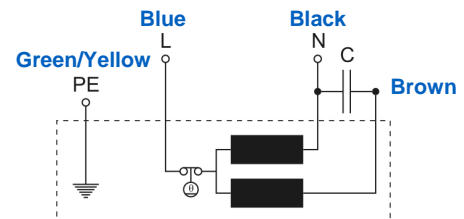


Voltage	Frequency	Input power	Current	Capacitor	Airflow	Speed rotation	Noise level	Rotation direction	Operating temperature
V	Hz	Wa	A	µF	m³/h	RPM	dBA	↻	Min / Max
230	50	89	0,39	3,0	935	2 525	63	R	-20°C / +70°C
230	60	125	0,55	3,0	1 010	2 750	65	R	-20°C / +70°C



- Ball bearing
- Class F, thermally protected
- IP44 protection
- G2.5 balancing
- Rotor : black paint
- PA 6/6 plastic impeller

Capacitor for 50Hz	Capacitor for 60Hz	Zinc Coated	Inlet cone
19012-0	19012-0	21194-a	16133-a



Non contractual document. All specifications are subject to change without prior notice. Picture for information only.