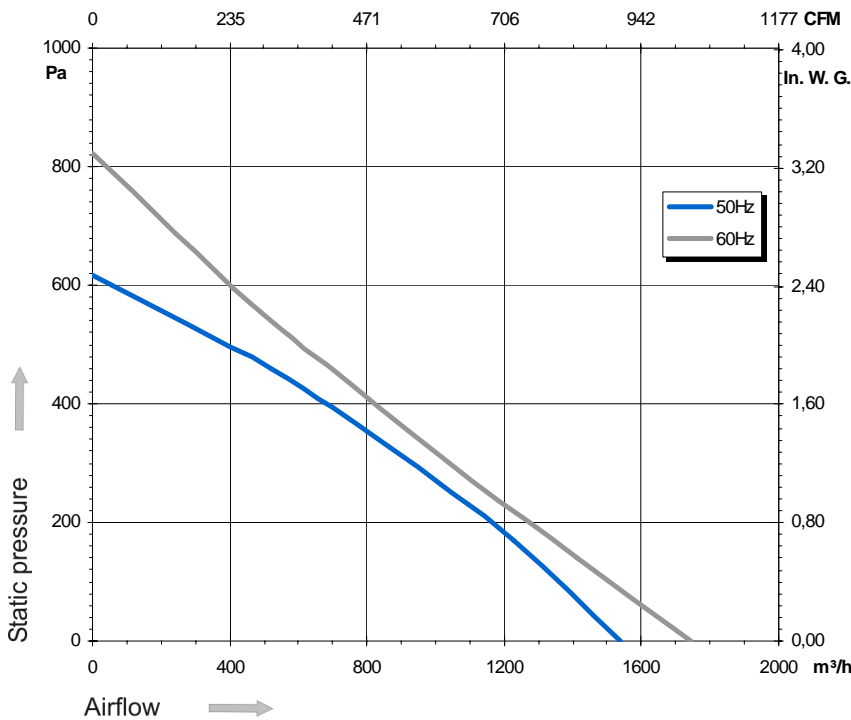
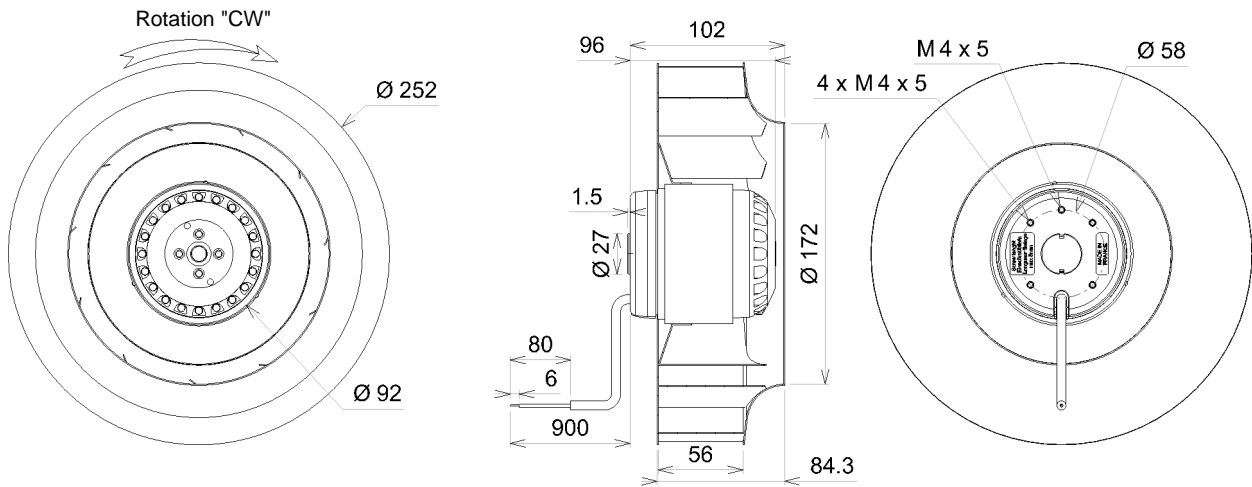


Ind. d - Revision : 09-2004

## 2RRE45 250x56R P/N H06-17



Voltage	Frequency	Input power	Current	Capacitor	Airflow	Speed rotation	Noise level	Rotation direction	Operating temperature
V	Hz	Wa	A	µF	m³/h	RPM	dBA	↻	Min / Max
230	50	190	0,83	6,0	1 540	2 700	74	R	-20°C / +60°C
230	60	259	1,13	6,0	1 745	3 030	76	R	-20°C / +70°C



- Ball bearing
- Class F, thermally protected
- IP44 protection
- G2.5 balancing
- Rotor : black paint
- Galvanized steel impeller

Capacitor for 50Hz: 19016-0  
 Capacitor for 60Hz: 19016-0  
 Inlet cone: 16114-0

