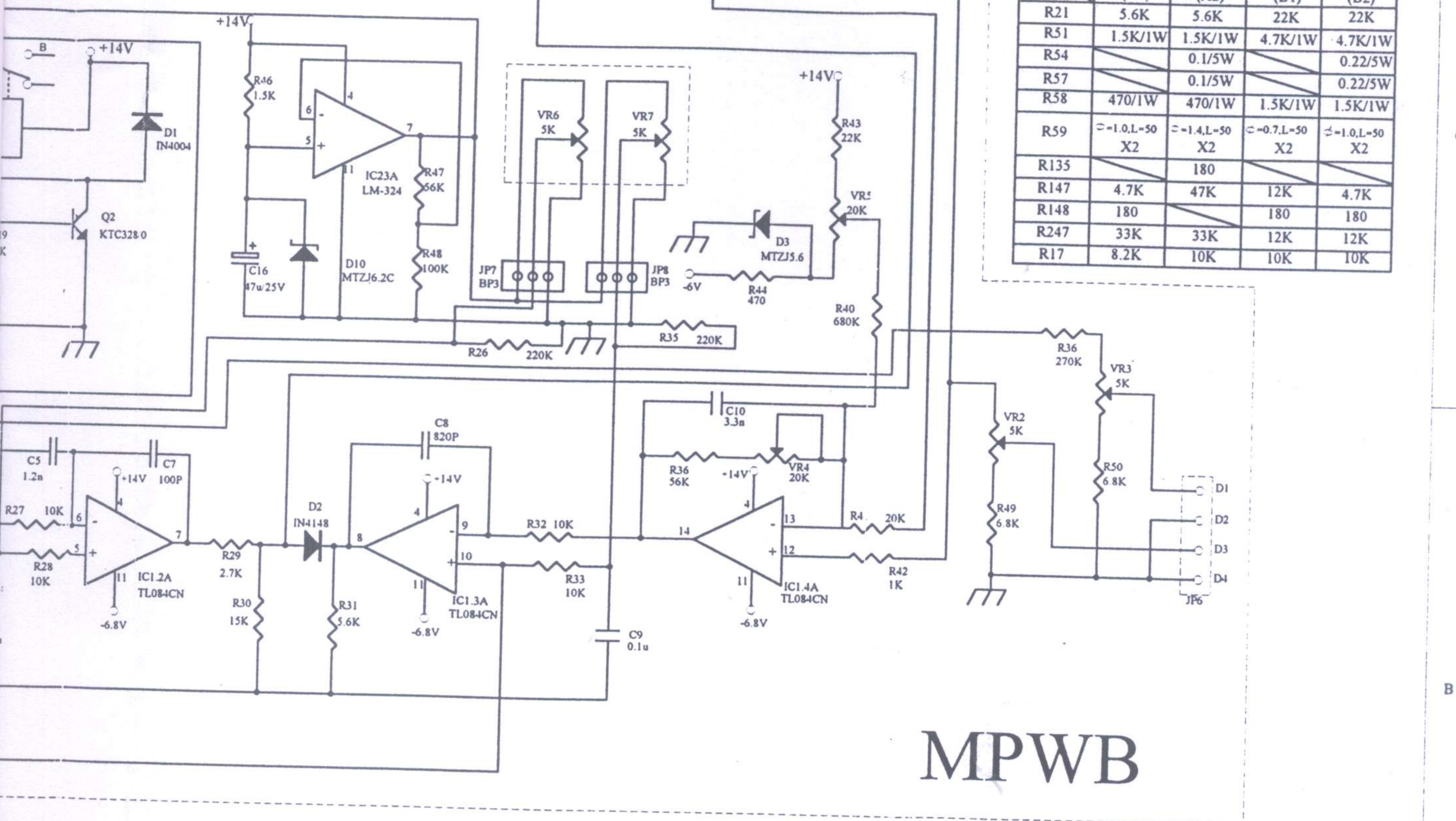
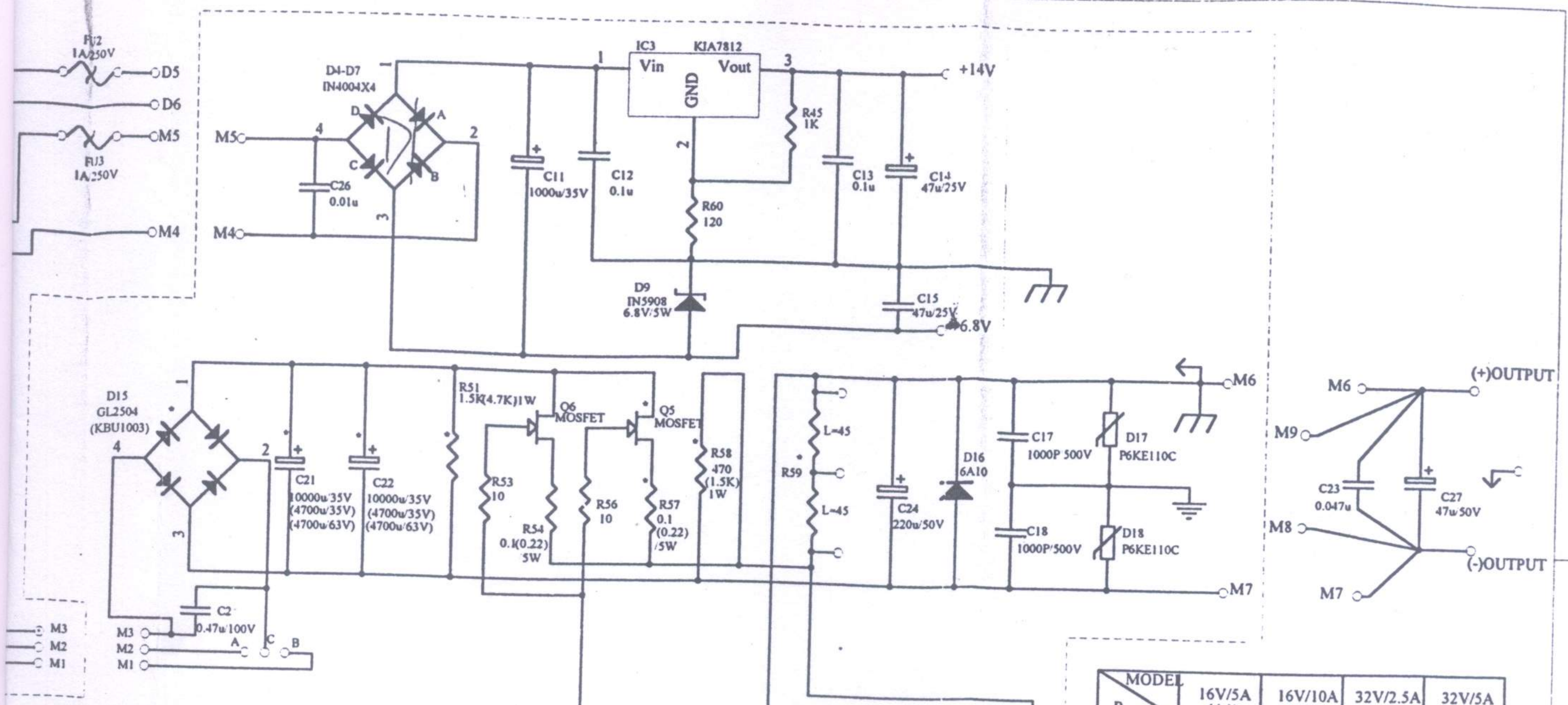
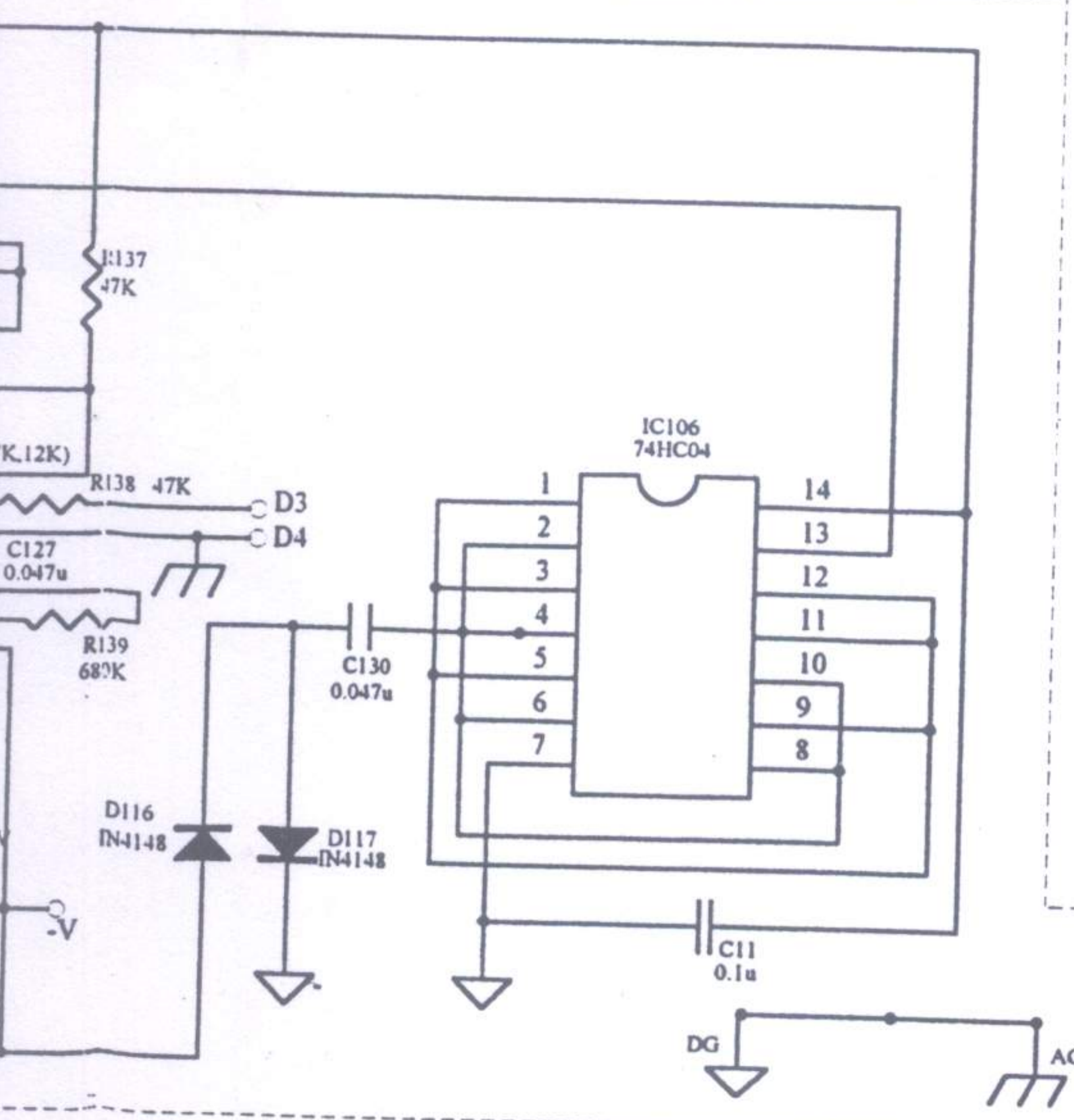


NUMBER OF I DISPLAY PARTS: 100  
 NUMBER OF V DISPLAY PARTS: 200



MODEL	16V/5A (A1)	16V/10A (A2)	32V/2.5A (B1)	32V/5A (B2)
R21	5.6K	5.6K	22K	22K
R51	1.5K/1W	1.5K/1W	4.7K/1W	4.7K/1W
R54		0.1/5W		0.22/5W
R57		0.1/5W		0.22/5W
R58	470/1W	470/1W	1.5K/1W	1.5K/1W
R59	-1.0L-50 X2	-1.4L-50 X2	-0.7L-50 X2	-1.0L-50 X2
R135		180		
R147	4.7K	47K	12K	4.7K
R148	180		180	180
R247	33K	33K	12K	12K
R17	8.2K	10K	10K	10K

# MPWB



# DPWB

MODEL	16V/5A (A1)	16V/10A (A2)	32V/2.5A (B1)	32V/5A (B2)
PART No				
FU1	1.25A /250V	2A /250V	1.25A /250V	2A /250V
T1	TR-1041	TR-1042	TR-1043	TR-1044
D15	KBU1003	GL2504	KBU1003	KBU1003
C21	4700uF /35V	10000uF /35V	4700uF /63V	4700uF /63V
C22	4700uF /35V	10000uF /35V		4700uF /63V
Q5		RFP150A		RFP150A

Title: TA-20 (A1,A2,B1,B2)

Size: C Number: Revision:

Date: 3-Nov-2001 Sheet of:

File: C:\ym\1\cyw-112V4ASTEPS\ue\ Desig\ Yue Xiao mei