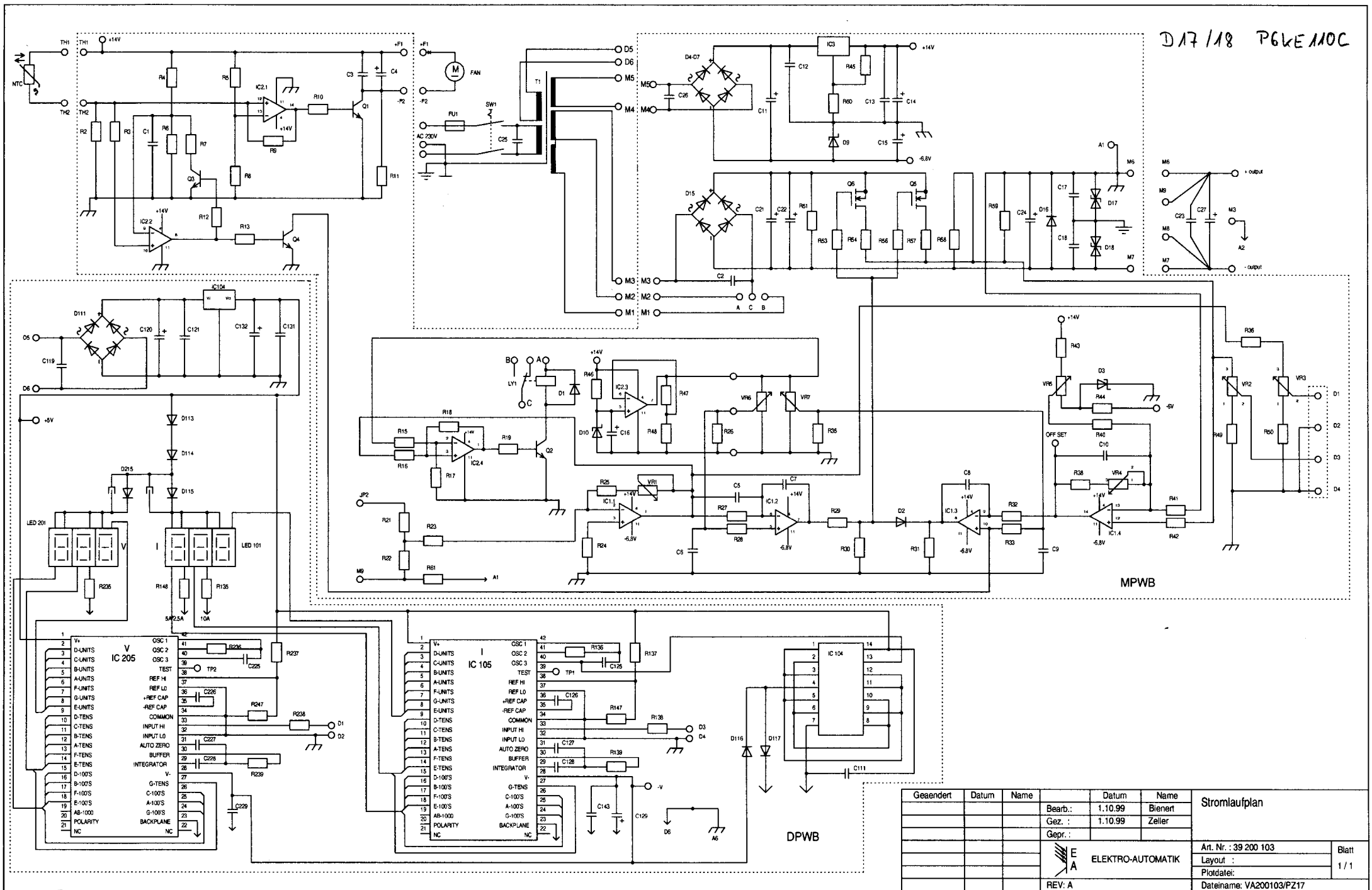
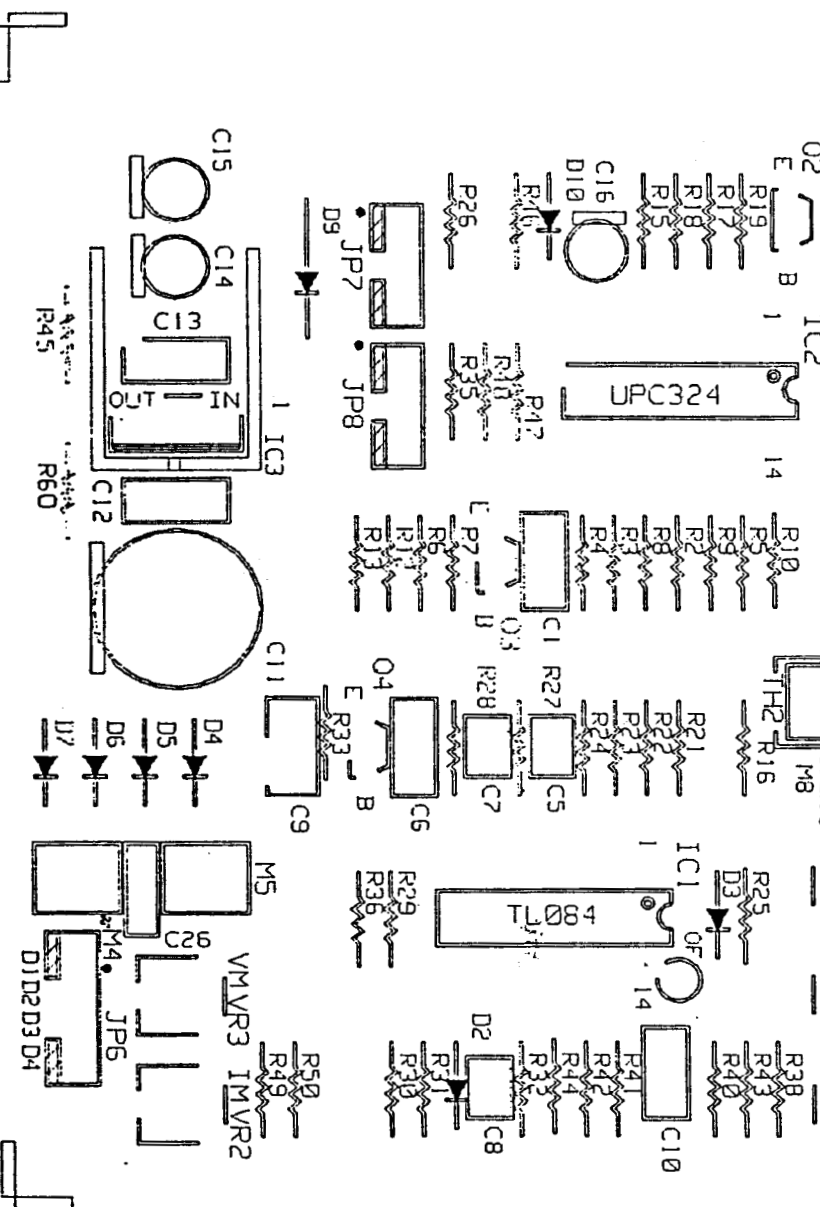
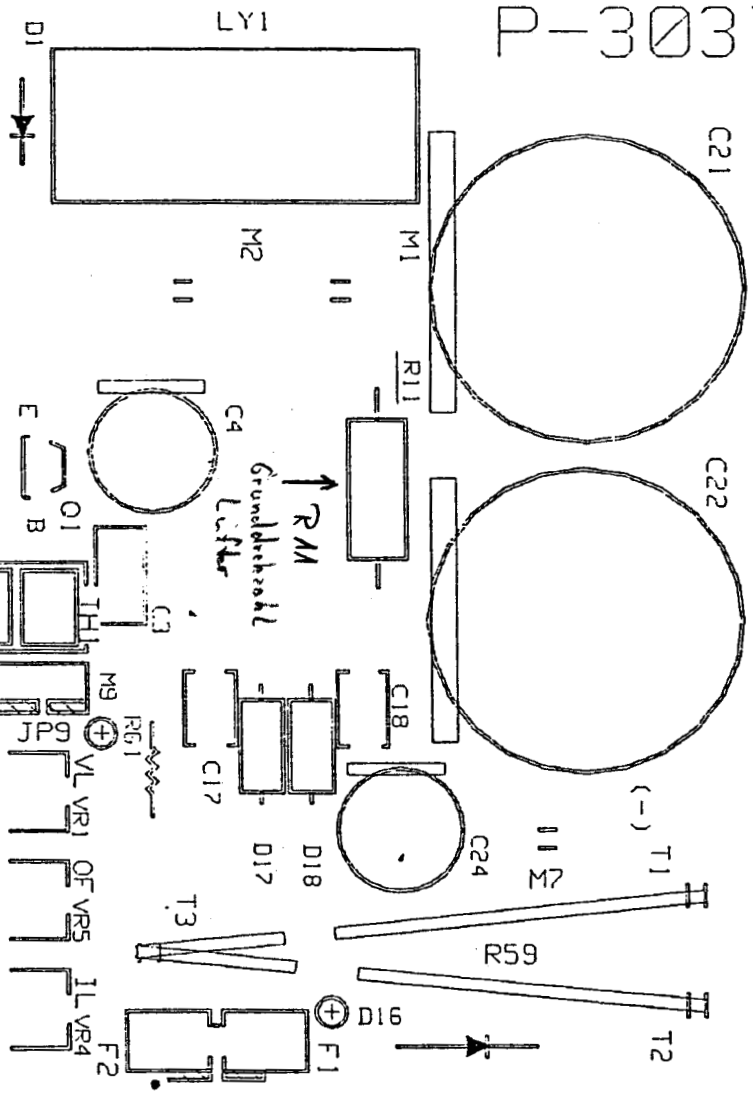
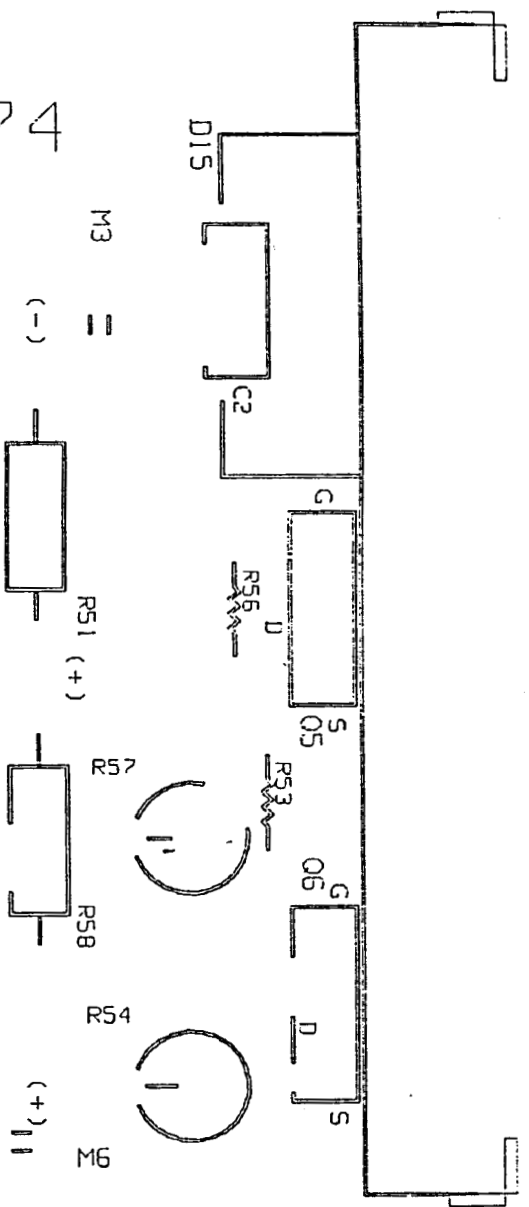


D17/18 P6KE110C



Geändert	Datum	Name	Datum	Name	Stromlaufplan
		Bearb.:	1.10.99	Bienert	
		Gez.:	1.10.99	Zeller	
		Gepr.:			
ELEKTRO-AUTOMATIK REV: A					Art. Nr.: 39 200 103 Layout: Plotdatei: Dateiname: VA200103/PZ17
					Blatt 1 / 1

P-30374



BILL OF MATERIAL

C_Art_mbr: 39200103

Product: PS2032-050

Mod id: BA043A

Printing Date: 2002-02-02

Cost:

HKD

P_ID: PLDE32502-01

Module: BA

Last Update: 2002 01 24

ID	Code	Type	Value	Unit	Tol	Rm	Other	Specs1	Package	Mfg_name	Mfg_P/N	V_no	Qty
2099	CCD	Cera-Disc	0.10nF			5.0		NPO	d7*2				2.00000 pcs
1001	CCD	Cera-Disc	10.00nF		20%	3.0	50V		d5*2	KS		S030	5.00000 pcs
2102	CERH	E-Cap	100.00uF		20%	2.0	10V	85deg	d5*10				1.00000 pcs
2100	CERH	E-Cap	1000.00uF		20%	5.0	16V	85deg	d10*20				1.00000 pcs
2101	CERH	E-Cap	330.00uF		20%	2.5	6.3V	85deg	d6.5*10				1.00000 pcs
2098	CM	Mylar	100.00nF		5%	7.5	100V		12*12*5				2.00000 pcs
1813	CM	Mylar	47.00nF		5%	5.0	50V	473	6.5*5*3				3.00000 pcs
1479	CM	Mylar	100.00nF		5%	5.0	63V		6.5*5*3	BlueArrow		S030	3.00000 pcs
2088	LCO23	P-30373	1.60mm			0.0	TA-20	Display PCB					1.00000 pcs
2064	MFS	Screw				0.0	PM	Pan-X, ZMC	M3*6	FUWAH			1.00000 pcs
2213	MFW	Washer	3.20mm			0.0		Split, ZMC	3.2*6*1mm	FUWUA		S024	1.00000 pcs
2093	MHO18	Heatsink	1.00mm			0.0	TA-20		55.8*26mm	MEC			1.00000 pcs
2092	OLG	LED	0.56inch			0.0	Com. A	3 digit, green				BT-A512RD	2.00000 pcs
1787	RCB	Carbon film	180.00R		5%	0.0	1/4W		0207	KAYOCO		S003	2.00000 pcs
1643	RCB	Carbon film	4.70K		5%	0.0	1/4W		0207	KAYOCO		S003	1.00000 pcs
1057	RCB	Carbon film	12.00K		5%	0.0	1/4W		0207	KAYOCO		S003	1.00000 pcs
1489	RCB	Carbon film	47.00K		5%	0.0	1/4W		0207	KAYOCO		S003	4.00000 pcs
1832	RCB	Carbon film	110.00K		5%	0.0	1/4W		0207	KAYOCO		S003	2.00000 pcs
2070	RCB	Carbon film	680.00K		5%	0.0	1/4W		0207	KAYOCO		S003	2.00000 pcs
1283	SDRB	1N4007	1000.00V			0.0	1A	Rectif	0204	MIC			8.00000 pcs
1289	SDSG	1N4148	100.00V			0.0	0.1A	Switch	035	TEMIC		S031	2.00000 pcs
1423	SIAC	MC7805CT	5.00V			0.0		Volt. reg	0220	MOTOROLA		S031	1.00000 pcs

BILL OF MATERIAL

C_Art_mbr: 39200103

Product: PS2032-050

Mod_id: BA043A

Printing Date: 2002-02-02

Cost:

HKD

P_ID: PLDE32502-01

Module: BA

Last Update: 2002-01-24

ID	Code	Type	Value	Unit	Tol	Rm	Other	Specs1	Package	Mfg_name	Mfg_P/N	V_no	Uqty
2090	SIDT	MC74HC04AN				0.0		Digital-Gate	DIP14	Motorola			1.00000 pcs
2097	SIM	NJU9202BM SMD				0.0		Driver, A/D	S042	NRC			2.00000 pcs
2430	VTM4	4WT. w/awg22#	125.00mm			0.0	300V	2.5mm Br. R. O. Y	5mm opened	LIANSHEN			1.00000 set

Remark:

BILL OF MATERIAL

C_Art_mbr: 39200103

Product: PS2032-050

Mod_id: BA044A

Printing Date: 2002-02-02

Cost:

HKD

P_ID: PLDE32502-01

Module: BA

Last Update: 2001-12-08

ID	Code	Type	Value	Unit	Tol	Rm	Other	Specs1	Package	Mfg_name	Mfg_P/N	V_no	Qty
2078	CCD	Cera-Disc	0.10nF		10%	5.0			d5*2				1.00000 pcs
2079	CCD	Cera-Disc	0.82nF		10%	5.0			d5*2				1.00000 pcs
2077	CCD	Cera-Disc	1.20nF		10%	5.0			d5*2				1.00000 pcs
2080	CCD	Cera-Disc	3.30nF		10%	5.0			d5*2				1.00000 pcs
2082	CCD	Cera-Disc	1.00nF		10%	5.0	500V		d5*2				2.00000 pcs
1001	CCD	Cera-Disc	10.00nF		20%	3.0	50V		d5*2	KS		S030	1.00000 pcs
1016	CERH	E-Cap	47.00uF		20%	3.0	25V	85deg	d5*12	PECON			3.00000 pcs
1705	CERH	E-Cap	100.00uF		20%	2.5	25V	85deg	d6*12	LICON		S030	1.00000 pcs
1508	CERH	E-Cap	1000.00uF		20%	5.0	35V	85deg	d13*21	NCK		S032	1.00000 pcs
2083	CERH	E-Cap	220.00uF		20%	5.0	50V	85deg	d10*15				1.00000 pcs
2124	CERH	E-Cap	4700.00uF		20%	10.0	63V	85deg	d25*42				2.00000 pcs
2173	CM	Mylar	470.00nF		5%	0.0	100V		2*6*6				1.00000 pcs
1479	CM	Mylar	100.00nF		5%	5.0	63V		6.5*5*3	BlueArrow		S030	6.00000 pcs
2043	LC022	P-30374	1.60mm			0.0	TA-20	Main PCB	96*165mm				1.00000 pcs
2014	MFS	Screw				0.0	BB	Tapping, ZMC	M3*8	FUWAH			2.00000 pcs
2064	MFS	Screw				0.0	PM	Pan X, ZMC	M3*6	FUWAH			2.00000 pcs
2108	MFS	Screw				0.0	PM	Pan X, ZMC	M3*12	FUWAH			3.00000 pcs
2061	MFW	Washer	3.20mm			0.0		Ring, ZMC	3.2*8*0.5mm	FUWAH			3.00000 pcs
2213	MFW	Washer	3.20mm			0.0		Split, ZMC	3.2*6*1mm	FUWUA		S024	4.00000 pcs
2125	MH018	Heatsink				0.0	3 hole	K116 99, AL	10.5*9.5*3cm				1.00000 pcs
2093	MH019	Heatsink	1.00mm			0.0	TA-20	For 2011	55.8*26mm	MEC			1.00000 pcs
2071	RCB	Carbon film	10.00R		5%	0.0	1/4W		0207	KAYOCO		S003	3.00000 pcs

BILL OF MATERIAL

C_Art_mbr: 39200103

Product: PS2032-050

Mod_id: BA044A

Printing Date: 2002-02-02

Cost: HKD

P_ID: PLDE32502-01

Module: BA

Last Update: 2001-12-08

ID	Code	Type	Value	Unit	Tol	Rm	Other	Specs1	Package	Mfg_name	Mfg_P/N	V_no	Qty
2072	RCB	Carbon film	120.00R		5%	0.0	1/4W		0207	KAYOCO		S003	1.00000 pcs
1491	RCB	Carbon film	470.00R		5%	0.0	1/4W		0207	KAYOCO		S003	1.00000 pcs
1064	RCB	Carbon film	1.00K		5%	0.0	1/4W		0207	KAYOCO		S003	2.00000 pcs
1466	RCB	Carbon film	1.50K		5%	0.0	1/4W		0207	KAYOCO		S003	1.00000 pcs
1065	RCB	Carbon film	2.00K		5%	0.0	1/4W		0207	KAYOCO		S003	1.00000 pcs
1487	RCB	Carbon film	2.70K		5%	0.0	1/4W		0207	KAYOCO		S003	1.00000 pcs
2221	RCB	Carbon film	3.00K		5%	0.0	1/4W		0207				1.00000 pcs
1790	RCB	Carbon film	3.30K		5%	0.0	1/4W		0207	KAYOCO		S003	1.00000 pcs
2065	RCB	Carbon film	5.60K		5%	0.0	1/4W		0207	KAYOCO		S003	4.00000 pcs
1060	RCB	Carbon film	6.80K		5%	0.0	1/4W		0207	KAYOCO		S003	2.00000 pcs
2066	RCB	Carbon film	8.20K		5%	0.0	1/4W		0207	KAYOCO		S003	1.00000 pcs
1069	RCB	Carbon film	10.00K		5%	0.0	1/4W		0207	KAYOCO		S003	12.00000 pcs
1579	RCB	Carbon film	15.00K		5%	0.0	1/4W		0207	KAYOCO		S003	1.00000 pcs
1071	RCB	Carbon film	22.00K		5%	0.0	1/4W		0207	KAYOCO		S003	3.00000 pcs
2069	RCB	Carbon film	39.00K		5%	0.0	1/4W		0207	KAYOCO		S003	1.00000 pcs
1489	RCB	Carbon film	47.00K		5%	0.0	1/4W		0207	KAYOCO		S003	1.00000 pcs
1690	RCB	Carbon film	56.00K		5%	0.0	1/4W		0207	KAYOCO		S003	2.00000 pcs
1397	RCB	Carbon film	100.00K		5%	0.0	1/4W		0207	KAYOCO		S003	3.00000 pcs
1819	RCB	Carbon film	220.00K		5%	0.0	1/4W		0207	KAYOCO		S003	3.00000 pcs
2068	RCB	Carbon film	270.00K		5%	0.0	1/4W		0207	KAYOCO		S003	1.00000 pcs
2070	RCB	Carbon film	680.00K		5%	0.0	1/4W		0207	KAYOCO		S003	1.00000 pcs
2067	RCD	Carbon film	100.00R		5%	0.0	1W		0411	KAYOCO		S003	1.00000 pcs

BILL OF MATERIAL

C_Art_mbr: 39200103

Product: PS2032-050

Mod_id: BA044A

Printing Date: 2002-02-02

Cost: HKD

P_ID: PLDE32502-01

Module: BA

Last Update: 2001-12-08

ID	Code	Type	Value	Unit	Tol	Rm	Other	Specs1	Package	Mfg_name	Mfg_P/N	V_no	Qty
2073	RCD	Carbon film	1.50K		5%	0.0	1W		0411	KAYOCO		S003	1.00000 pcs
2118	RCD	Carbon film	4.70K		5%	0.0	1W		0411	KAYOCO		S003	1.00000 pcs
2120	REJ	Cemented	0.22R		5%	0.0	5W		20*10*10	KAYOCO		S003	2.00000 pcs
2057	RVPR	Potentiometer	20.00K			0.0		RM-65					3.00000 pcs
1968	RVPR	Potentiometer	5.00K		20%	0.0	RM-065		d5*5	BAOHUA			2.00000 pcs
2076	RVT	Thermistor	20.00K		5%	0.0							1.00000 pcs
2052	SD	6A10E2				0.0						S031	1.00000 pcs
2084	SDBP	KBU1003	200.00V			0.0	10A	Bridg. rectific.	KBU	TOKYO			1.00000 pcs
2050	SDR	1N5908	6.80V			0.0	5W	Volt. clamp	CB42P				1.00000 pcs
1283	SDRB	1N4007	1000.00V			0.0	1A	Rectifier	D0204	MIC			5.00000 pcs
1289	SDSG	1N4148	100.00V			0.0	0.1A	Switching	D035	TEMIC		S031	1.00000 pcs
2053	SDUF	P6KE110C	110.00V			0.0	0.6W	TVS	D015				2.00000 pcs
2049	SDZG	Zener	5.60V		5%	0.0	1/2W		d2*4.2			S031	1.00000 pcs
2051	SDZG	Zener	6.20V		5%	0.0	1/2W		d2*4.2			S031	1.00000 pcs
1304	SIAA	LM324				0.0		OP-Amp.	DIP14	ST		S031	1.00000 pcs
2140	SIAA	TL084CN				0.0		OP-Amp.	DIP14				1.00000 pcs
2045	SIAC	KIA7812P	12.00V			0.0		Volt. regul.		KEC		S031	1.00000 pcs
2048	SMN	IRFP150A	100.00V			0.0	0.055R	N-FET	T0218	IR		S165	2.00000 pcs
2047	STN	KTC3199	50.00V			0.0	0.15A	NPN, B=70-700				S031	2.00000 pcs
2046	STN	KTC3228	160.00V			0.0	1A	NPN	T029			S031	2.00000 pcs
2058	VHSS	Pin header	2.00POL			0.0	TA-20	P=2.5mm					1.00000 pcs
2018	VHSS	Pin header	3.00POL			0.0	TA-20	P=2.5mm					2.00000 pcs

BILL OF MATERIAL

C_Art_mbr: 39200103

Product: PS2032-050

Mod_id: BA044A

Printing Date: 2002-02-02

Cost: HKD

P_ID: PLDE32502-01

Module: BA

Last Update: 2001-12-08

ID	Code	Type	Value	Unit	Tol	Rm	Other	Specs1	Package	Mfg_name	Mfg_P/N	V_no	Qty
2059	VHSS	Pin header	4.00	POL		0.0	TA-20	P=2.5mm					1.00000 pcs
1321	VTC	Clamp terminal	4.20	mm		0.0		Collet solder	2.5-4				1.00000 pcs
2094	VTP	Terminal	6.30	mm		5.0	250type	Male, Ni-plated					5.00000 pcs
2044	VTP	Terminal	6.30	mm		5.0	Two	Male, Ni-plated					3.00000 pcs
2105	WLN	AWG	22.00	#		0.0	300V	Ylw, UL-1007		XLS			0.31200 M
2085	WY	Resistor	1.00	mm		0.0	50mm	CN49WB				S048	0.10000 M
2033	YRD	Relay	12.00	V		0.0	16A	OMIH-SS-112D	14*6				1.00000 pcs
2062	ZCSG	Silicon grease				0.0							0.00000
1145	ZIB	Insul. tube	2.00	mm		0.0		White					0.04000 M
2056	ZIH	Shrinktube	2.50	mm		0.0		Blk Flame ret.		CHONGBAO			0.03000 M

Remark: 2056:2*15mm; 2085:2*50mm; 2105:2*(150+6)mm; 1154:2*20mm

BILL OF MATERIAL

C_Art_mbr: 39200103

Product: PS2032-050

Mod_id: EM005-004A

Printing Date: 2002-02-02

Cost: HKD

P_ID: PLDE32502-01

Module: ENCLOSURE

Last Update: 2002-01-18

ID	Code	Type	Value	Unit	Tol	Rm	Other	Specs1	Package	Mfg_name	Mfg_P/N	V_no	Qty
2135	EMCB	Main chassis	1.20mm			0.0	TA-20	Iron, Ni plate		MEC			1.00000 pcs
2034	EMCB	Top case	1.20mm			0.0	TA-20	Electr. iron		MEC			1.00000 pcs
2128	IFTL	Linar XFM	230.00V			0.0		TR-1044, 32 50		MEC			1.00000 pcs
2030	MFD	Stud	10.00mm			0.0		M3 inner whorl	Hexa-outer				1.00000 pcs
2060	MFN	Nut M4				0.0		ZMC		FUWAH			4.00000 pcs
2106	MFS	Screw				0.0	BM	Bing-X, Ni pla	M3*6	FUWAH			9.00000 pcs
2031	MFS	Screw				0.0	KM	Ctnsink-X, ZMC	M3*6	FUWAH			6.00000 pcs
2021	MFS	Screw				0.0	PM	Pan-X, ZMC	M4*10	FUWAH			4.00000 pcs
2110	MFS	Screw				0.0	PM	Pan-X, Ni plated	M3*4	FUWAH			2.00000 pcs
2115	MFS	Screw				0.0	PM	Pan-X, ZMC	M4*8	FUWAH			11.00000 pcs
1363	MFW	Washer	3.20mm			0.0		Tooth-out, Ni pl	3.2*6*0.3mm	FUWAH		S024	5.00000 pcs
1368	MFW	Washer	3.20mm			0.0		Split, Ni plated	3.2*6*1mm	FUWAH		S024	4.00000 pcs
2022	MFW	Washer	4.20mm			0.0		Split, ZMC	4.2*8*1mm	FUWAH			8.00000 pcs
2029	MFW	Washer	4.20mm			0.0		Ring, ZMC	4.2*12*1mm				4.00000 pcs
2035	PCP	Rotary Knob				0.0		For potentiomet					2.00000 pcs
2032	VSA	Mains socket	250.00V			0.0	15A	SS-7B					1.00000 pcs
2220	VTC	Clamp terminal	3.20mm			0.0		Ring term.	3.2*6*0.5				1.00000 pcs
2015	VTM	Multi-terminal	0.50mm			0.0	Cu	4T, Ni-plated					1.00000 pcs
1133	WLN	AWG	22.00#			0.0	300V	Blu, UL-1007		XLS		S014	0.06100 M
2104	WLN	AWG	22.00#			0.0	300V	Org, UL-1007		XLS			0.06100 M
1195	WLN	AWG	18.00#			0.0	600V	yellow/green		XLS		S014	0.51200 M
2025	WLN	AWG	20.00#			0.0	600V	Blu, UL-1015					0.08600 M

BILL OF MATERIAL

C_Art_mbr: 39200103

Product: PS2032-050

Mod_id: EM005-004A

Printing Date: 2002-02-02

Cost:

HKD

P_ID: PLDE32502-01

Module: ENCLOSURE

Last Update: 2002-01-18

ID	Code	Type	Value	Unit	Tol	Rm	Other	Specsl	Package	Mfg_name	Mfg_P/N	V_no	Qty
2026	WLM	AWG	20.00#			0.0	600V	Wht, UL-1015					0.64000 M
2007	WMB	AC-Cord	1.50M			0.0	250V/25	IEC plug+socket	3*1mm2				1.00000 pcs
2020	YF	Fan	12.00V			0.0	0.17A		80*80*25mm				1.00000 pcs
2182	YFG	Fuse, Glass	1.00A			0.0	250V	Pigtail	d5*20				2.00000 pcs
2055	YFG	Fuse, Glass	2.00A			0.0	250V		d5*20				1.00000 pcs
2024	YH	Fuse holder	250.00V			0.0	6.3A	For 5*20	FH-B02				1.00000 pcs
1967	ZIH	Shrinktube	4.00mm			0.0		Blk, Flame ret.		CHONGBAO		S002	0.08000 M
1155	ZIH	Shrinktube	6.00mm			0.0	NON-UL	Blk Flame ret.		CHONGBAO		S002	0.21000 M
2005	ZPCN	In carton				0.0		TA-20	285*355*215mm				1.00000 pcs
2459	ZPCN	Master carton				0.0		2032-050	580*365*230mm	XIEQIANG			0.50000 pcs
1171	ZPIP	Wire-Tie				0.0		White	3*100mm				16.00000 pcs
2038	ZPIS	Sticker				0.0		For wire fix	18*18mm				1.00000 pcs
2000	ZPRB	PE Bag				0.0		For TA-20 serie	350*450*0.07m				1.00000 pcs
2224	ZPRF	Buble				0.0							1.00000 pcs
2027	ZPRM	Mounting Feet				0.0		OK-20					4.00000 pcs
2028	ZPRS	PCB Supports				0.0		CBS-10R					4.00000 pcs
1989	ZPSI	Instruction				0.0		TA2016/32		MEGO		S007	1.00000 pcs
2002	ZPSL	Barcode				0.0	2032-05			EA			1.00000 pcs
2176	ZPSL	CE Seal				0.0			8*10mm				2.00000 pcs
2037	ZPSL	Earth seal				0.0			13*13mm				1.00000 pcs
2107	ZPSL	Fuse seal				0.0	2.0AT	TA-20A2/E3	20*7mm				1.00000 pcs
2006	ZPSL	In carton seal				0.0		Ctn Nr.					2.00000 pcs

BILL OF MATERIAL

C_Art_mbr: 39200103

Product: PS2032-050

Mod_id: EM005-004A

Printing Date: 2002-02-02

Cost: HKD

P_ID: PLDE32502-01

Module: ENCLOSURE

Last Update: 2002-01-18

ID	Code	Type	Value	Unit	Tol	Rm	Other	Specs1	Package	Mfg_name	Mfg_P/N	V_no	Qty
2001	ZPSL	PAD				0.0							2.00000 pcs
2039	ZPSL	QC seal				0.0			D=12mm				1.00000 pcs
2075	ZPSL	Rating label				0.0	2032-05	39200103	60*35mm				1.00000 pcs
2036	ZPSL	Volt. seal	230.00V			0.0	50/60Hz		31*7mm				1.00000 pcs
2222	ZPSP	Paper board				0.0			13*4.2inch				4.00000 pcs
2223	ZPSP	Paper board				0.0			5.7*6.1inch				6.00000 pcs

Remark: 1133: (55+6)mm; 1155: 2*65mm+4*20mm; 1195: (75+6)mm+(125+6)mm+300mm; 1967: 4*20mm; 2025: (80+6)mm; 2026: 1*380mm+1*260mm; 2104: (55+6)mm

BILL OF MATERIAL

C_Art_mbr: 39200103

Product: PS2032-050

Mod_id: FC001-004A

Printing Date: 2002-02-02

Cost:

HKD

P_ID: PLDE32502-01

Module: FRONT CHASSI

Last Update: 2002-01-24

ID	Code	Type	Value	Unit	Tol	Rm	Other	Specsl	Package	Mfg_name	Mfg_P/N	V_no	Qty
1666	CERH	E-Cap	47.00	uF	20%	2.5	35V	85deg	d6.5*11	LICON		S030	1.00000 pcs
2091	CM	MKT, X2-Cap	0.22	uF	10%	10.0	275Vac	CE, UL, CSA	18*16*10				1.00000 pcs
1813	CM	Mylar	47.00	nF	5%	5.0	50V	473	6.5*5*3				1.00000 pcs
2009	EMCB	Front chassis	0.50	mm		0.0	TA-20						1.00000 pcs
2012	EPCFA	Mask panel				0.0	TA-20						1.00000 pcs
2156	EPCFB	Front mask, print				0.0	2032-05	P-15047-4		Goodmark			1.00000 pcs
2215	MFN	Nut M6				0.0			M6				1.00000 pcs
2014	MFS	Screw				0.0	BB	Tapping, ZMC	M3*8				7.00000 pcs
2216	MFW	Washer				0.0			M6*12				1.00000 pcs
2008	RVPR	Potentiometer	5.00	K		0.0	16mm						2.00000 pcs
2010	VSDP	DC Socket				0.0		Red, with nut					1.00000 pcs
2011	VSDP	DC Socket				0.0		Blk, with nut					1.00000 pcs
2013	VSDP	DC-Socket				0.0	D:7.5mm	M6, d=4mm	BP-312(1B)				1.00000 pcs
2089	VTC	Clamp terminal	6.30	mm		0.0	250	Parent isolat.					2.00000 pcs
2427	VTCW	C. T. w/awg16 blk	6.30	mm		0.0	300V	250mm 30mm open	insulated	WEILIAN			1.00000 set
2426	VTCW	C. T. w/awg16 red	6.30	mm		0.0	300V	250mm 30mm open	insulated	WEILIAN			1.00000 set
2015	VTM	Multi-terminal				0.0		Four terminal					2.00000 pcs
2428	VTM2	2WT. w/awg22#	125.00	mm		0.0	300V	2.5mm blk. red	8mm opened	LIANSHEN			1.00000 set
2429	VTM3	3WT. w/awg22#	125.00	mm		0.0	300V	2.5mm Br. R. Or	5mm tinned	LIANSHEN			2.00000 set
2217	VTT	Solder tags				0.0			M6				1.00000 pcs
1195	WLN	AWG	18.00	#		0.0	600V	yellow/green		XLS		S014	0.40000 M
2003	YSMR	Rocker-switch	250.00	V		0.0	6A	"0", "1" mark	DPST				1.00000 pcs

Remark:

BILL OF MATERIAL

C_Art_mbr: 39200103

Product: PS2032-050

Mod_id: XFM-L010

Printing Date: 2002-02-02

Cost: HKD

P_ID: PLDE32502-01

Module: XFM

Last Update: 2002-01-24

ID	Code	Type	Value	Unit	Tol	Rm	Other	Specsl	Package	Mfg_name	Mfg_P/N	V_no	Qty
2200	IBSG	Bobbin				0.0			105*40				1.00000 pcs
2199	ICLVA	Core	0.50mm			0.0	Black	RM23	E105B	ChangSheng		S022	1.71000 kg
2207	ICLVA	Core	0.50mm			0.0	Black	RM23	1105B	ChangSheng		S022	0.57000 kg
1342	MFN	Nut M3				0.0		Ni-plated		FUWAH		S024	4.00000 pcs
2187	MFR	"L" shaped bracket	2.00mm			0.0		Wht, Zinc	13*104.5mm	MEC		S000	4.00000 pcs
2202	MFS	Screw				0.0	PM	Wht	M3*50	FUHUA		S024	4.00000 pcs
1363	MFW	Washer	3.20mm			0.0		Tooth-out, Ni-pl	3.2*6*0.3mm	FUWAH		S024	1.00000 pcs
2189	PW	Washer				0.0		NY66	M3				7.00000 pcs
2089	VTC	Clamp terminal	6.30mm			0.0	250	Parent isolat.					3.00000 pcs
2424	VTCW	C. T. w/awg16 blk	6.30mm			0.0	600V	160mm 8mm open	insulated	WEILIAN			1.00000 set
2425	VTCW	C. T. w/awg16 bwn	6.30mm			0.0	600V	160mm 8mm open	insulated	WEILIAN			1.00000 set
2423	VTCW	C. T. w/awg16 red	6.30mm			0.0	600V	160mm 8mm open	insulated	WEILIAN			1.00000 set
1500	VTT	Solder tags	3.20mm			0.0		Ring terminal	Out:6mm	HK			1.00000 pcs
2026	WLN	AWG	20.00#			0.0	600V	Wht, UL-1015					0.21600 M
2192	WLN	AWG	20.00#			0.0	600V	Blk, UL-1015		XLS		S014	0.21600 M
2193	WLN	AWG	22.00#			0.0	600V	Blu, UL-1015		XLS		S014	0.37200 M
2194	WLN	AWG	22.00#			0.0	600V	Orng, UL-1015		XLS		S014	0.37200 M
1091	WWU	Mag-wire	0.50mm			0.0				DAYANG		S070	0.03800 kg
1216	WWU	Mag-wire	0.65mm			0.0				DAYANG		S070	0.35000 kg
2190	WWU	Mag-wire	1.50mm			0.0				DAYANG			0.38000 kg
1143	ZIB	Insul. tube	2.00mm			0.0		Red					0.12000 M
1144	ZIB	Insul. tube	2.00mm			0.0		Blue					0.06000 M

BILL OF MATERIAL

C_Art_nbr: 39200103

Product: PS2032-050

Mod_id: XFM-L010

Printing Date: 2002-02-02

Cost:

HKD

P_ID: PLDE32502-01

Module: XFM

Last Update: 2002-01-24

ID	Code	Type	Value	Unit	Tol	Rm	Other	Specs1	Package	Mfg_name	Mfg_P/N	V_no	Uqty
1967	ZIH	Shrinktube	4.00	mm		0.0		Blk, Flame ret.		CHONGBAO		S002	0.09000 M
1154	ZIH	Shrinktube	3.00	mm		0.0	NON-UL	Blk Flame ret.		CHONGBAO		S002	0.10000 M
1155	ZIH	Shrinktube	6.00	mm		0.0	NON-UL	Blk Flame ret.		CHONGBAO		S002	0.03000 M
1394	ZIP	Insul. paper	0.20	mm		0.0		Green/fibrous					3.00000 pcs
2225	ZIT	PVC-Tape	28.00	mm		0.0	Yellow	Flame Ret.	thick=0.09mm				0.40000 M
2201	ZIT	PVC-Tape	50.00	mm		0.0	Yellow	Flame Ret.		HUNGTAK		S129	5.30000 M
2226	ZIT	PVC-Tape	55.00	mm		0.0	Yellow	Flame Ret.	thick=0.09mm				5.30000 M
1538	ZIV	Varnish				0.0		For XFM		ZHONGCHENG		S104	0.00000
2374	ZPSLX	XFM label				0.0	TR-1044						1.00000 pcs

Remark: 1143:4*30mm; 1144:2*30mm; 1154:5*20mm; 1155:1*30mm; 1967:3*30mm; 1394:3*(300*50)mm; 2192:(210+6)mm; 2026:(210+6)mm; 2193:2*(180+6)mm; 2194:2*(160+6)mm