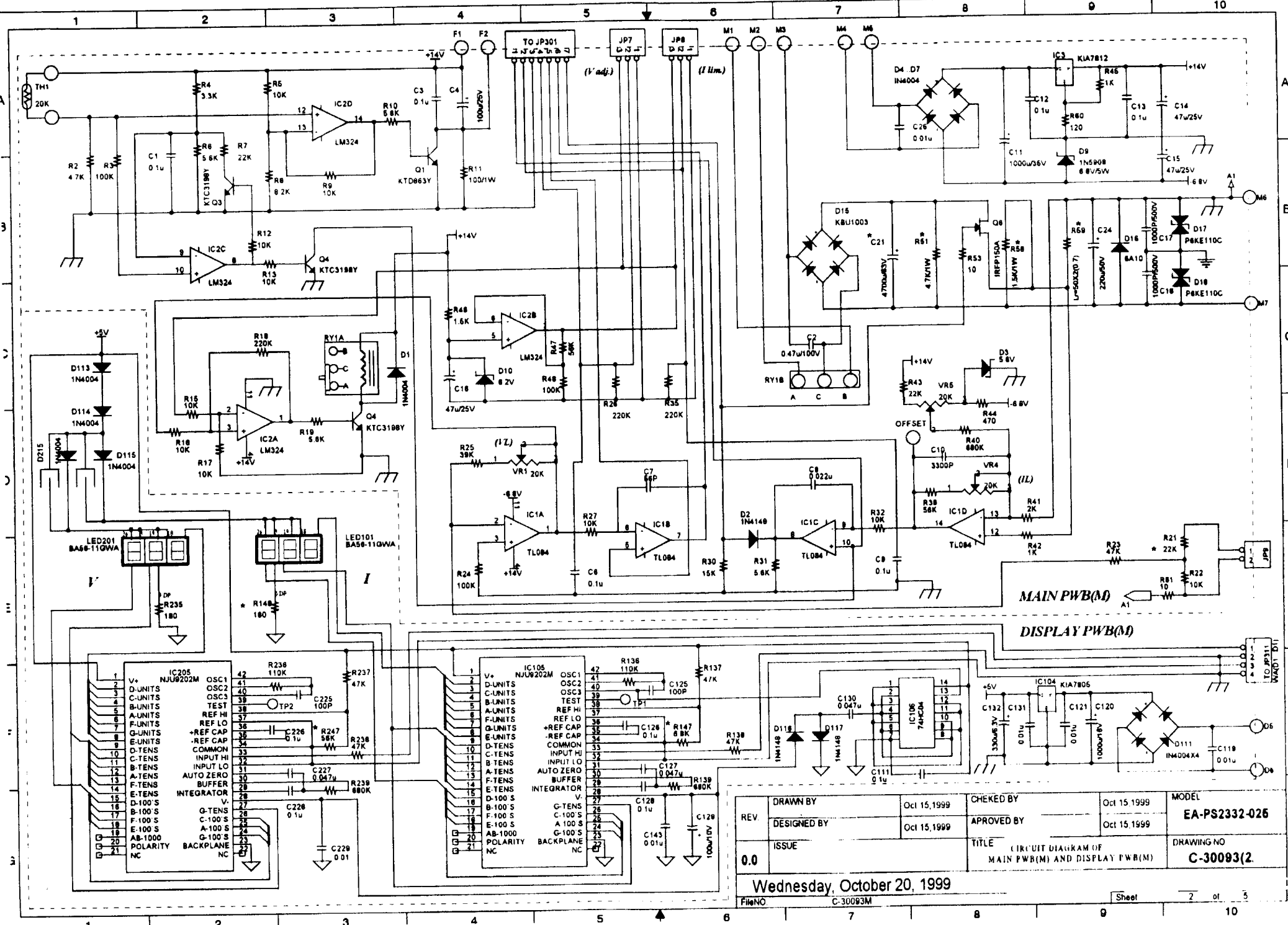


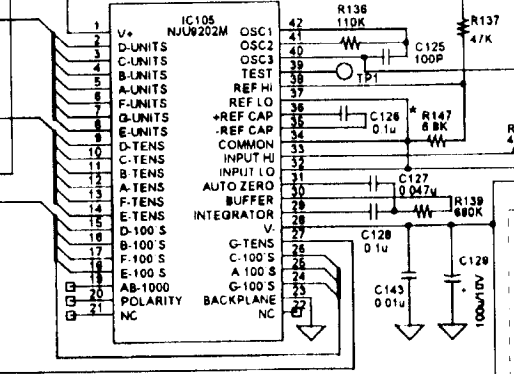
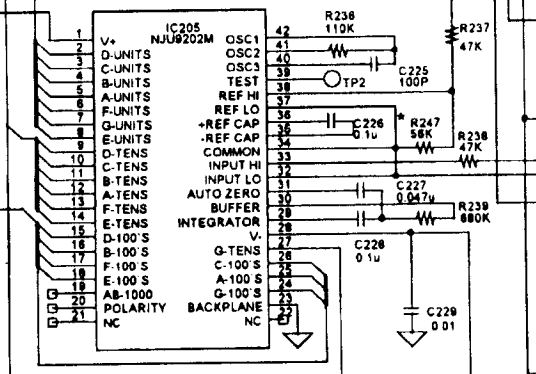
REV	DRAWN BY	Oct 15 1999	CHECKED BY	Oct 15 1999	MODEL
	DESIGNED BY	Oct 15 1999	APPROVED BY	Oct 15 1999	EA-PS2332-026
0.0	ISSUE		TITLE	CONNECTING DIAGRAM OF TRIPLE POWER SUPPLY	DRAWING NO
					C-30093(1)

Wednesday, October 20, 1999



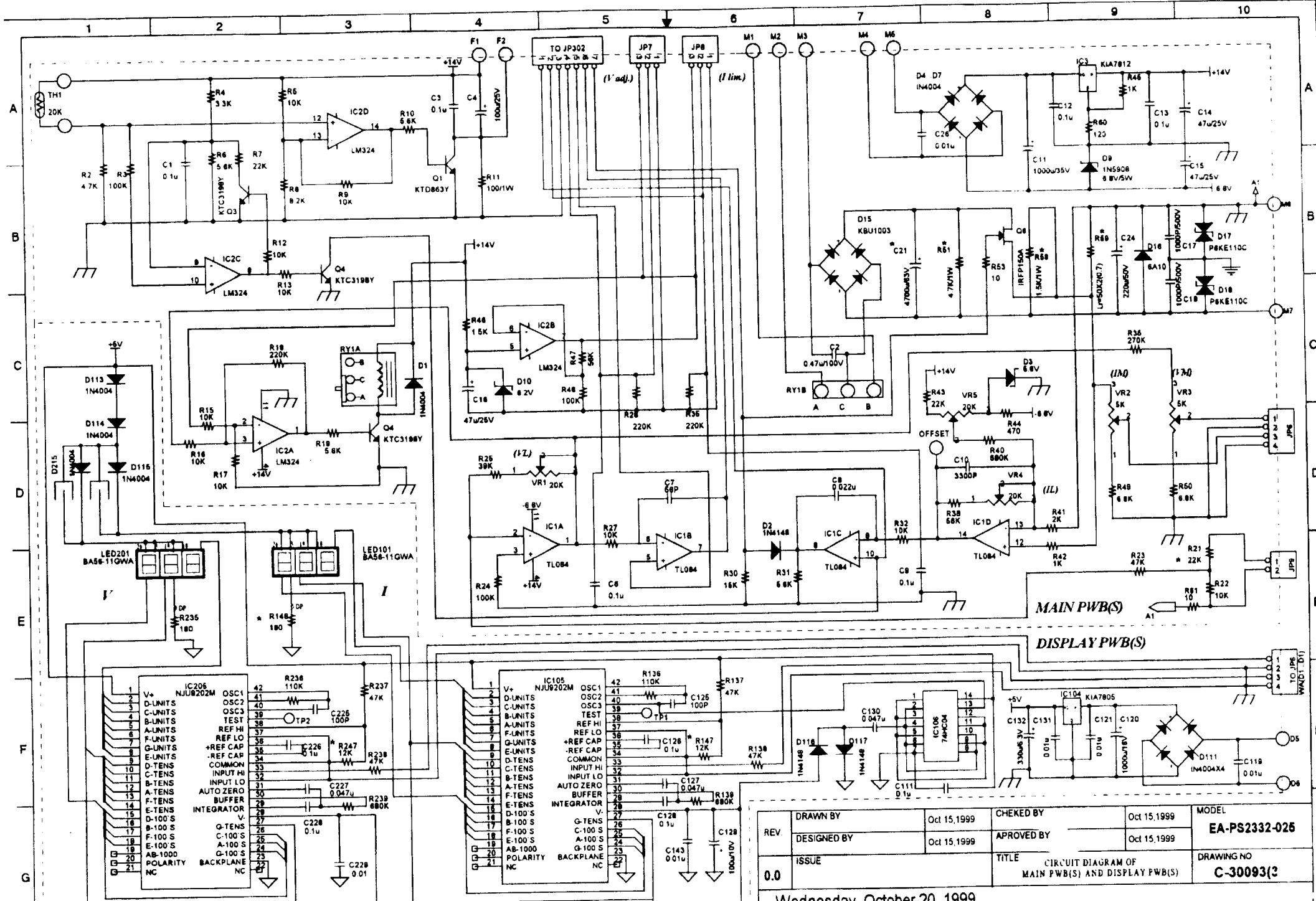
MAIN PWB(M)

DISPLAY PWB(M)



REV	DRAWN BY	Oct 15, 1999	CHECKED BY	Oct 15, 1999	MODEL
	DESIGNED BY	Oct 15, 1999	APPROVED BY	Oct 15, 1999	EA-PS2332-026
0.0	ISSUE		TITLE	(CIRCUIT DIAGRAM OF MAIN PWB(M) AND DISPLAY PWB(M))	DRAWING NO
					C-30093(2)

Wednesday, October 20, 1999



REV	DRAWN BY	Oct 15, 1999	CHEKED BY	Oct 15, 1999	MODEL
	DESIGNED BY	Oct 15, 1999	APPROVED BY	Oct 15, 1999	EA-PS2332-025
0.0	ISSUE		TITLE	CIRCUIT DIAGRAM OF MAIN PWB(S) AND DISPLAY PWB(S)	DRAWING NO
					C-30093(3)