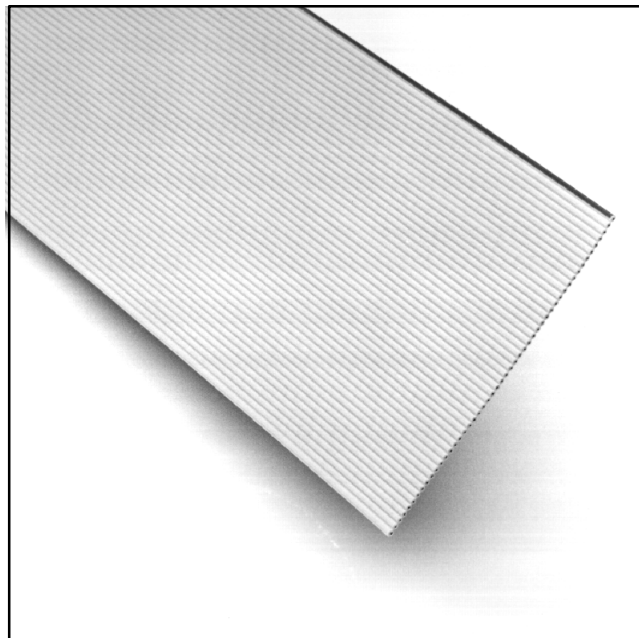


3M™ Round Conductor Flat Cable

.050" 28 AWG Stranded, PVC

3365 Series



- 28 AWG wire on .050 inch centers permits mass termination to a broad line of IDC connectors
- Stranded wire provides flexibility and extended product life
- Zippable for branching or discrete termination
- Available in Gray or Black
- *RoHS compliant

Date Modified: May 24, 2004

TS-0080-14
Sheet 1 of 2

Physical



Insulation

Material: Polyvinyl Chloride (PVC)

Color: Gray Standard or Black (See ordering information.)

Marking

Standard: None

Canadian Option:  AWM 2651 105C 300V VW1 3M NU  AWM IA 105C 300V FT1
EU <50V

Conductors: 28 AWG 7 × 36 [7 × 0.127] Tinned Stranded Copper

Electrical

Voltage Rating:	USA: 300V	Canada: 300V	EU: <50V
Insulation Resistance:	> 1 × 10 ¹⁰ Ω/10 ft. [3m]		
Characteristic Impedance:	<u>Unbalanced</u> 102 Ω	<u>Balanced</u> 172 Ω	
Capacitance:	14.47 pF/ft.	8.14 p F/ft.	
Inductance:	0.15 μH/ft.	0.24 μH/ft.	
Propagation Delay:	1.47 ns/ft.	1.40 ns/ft.	
Velocity of Propagation:	69%	73%	

Note: Unbalanced is measured between ground-signal-ground conductors.

Environmental

Temperature Rating: -20°C to +105°C

Flammability Rating: USA: VW-1

Canada: FT1

*RoHS = Directive 2002/95/EC,
Restriction of the Use of Certain Hazardous Substances in Electrical and Electronic Equipment

UL File No.: E42769, Style No.: 2651

3M
Interconnect Solutions
<http://www.3M.com/interconnects/>

3M is a trademark of 3M Company.
For technical, sales or ordering information call
800-225-5373

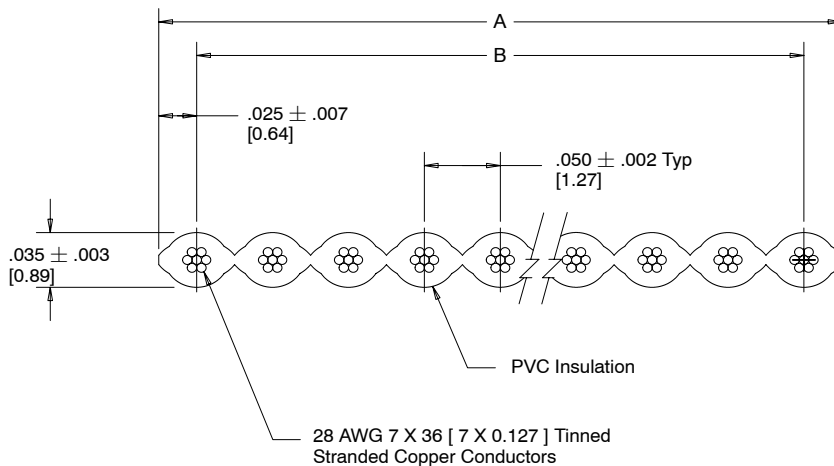
3M™ Round Conductor Flat Cable

.050" 28 AWG Stranded, PVC

3365 Series



Number of Conductors	3M Part Number	Dimension A	Dimension B
06	3365/06	0.300 ± .010 [7.62]	0.250 ± .007 [6.35]
08	3365/08	0.400 ± .010 [10.16]	0.350 ± .007 [8.89]
09	3365/09	0.450 ± .010 [11.43]	0.400 ± .007 [10.16]
10	3365/10	0.500 ± .010 [12.70]	0.450 ± .007 [11.43]
12	3365/12	0.600 ± .010 [15.24]	0.550 ± .007 [12.7]
14	3365/14	0.700 ± .010 [17.78]	0.650 ± .007 [16.51]
15	3365/15	0.750 ± .010 [19.05]	0.700 ± .007 [17.78]
16	3365/16	0.800 ± .015 [20.32]	0.750 ± .011 [19.05]
20	3365/20	1.000 ± .015 [25.40]	0.950 ± .011 [24.13]
24	3365/24	1.200 ± .015 [30.48]	1.150 ± .011 [29.21]
25	3365/25	1.250 ± .015 [31.75]	1.200 ± .011 [30.48]
26	3365/26	1.300 ± .015 [33.02]	1.250 ± .011 [31.75]
30	3365/30	1.500 ± .020 [38.10]	1.450 ± .015 [36.83]
34	3365/34	1.700 ± .020 [43.18]	1.650 ± .015 [41.91]
36	3365/36	1.800 ± .020 [45.72]	1.750 ± .015 [44.45]
37	3365/37	1.850 ± .020 [46.99]	1.800 ± .015 [45.72]
40	3365/40	2.000 ± .020 [50.80]	1.950 ± .015 [49.53]
44	3365/44	2.200 ± .020 [55.88]	2.150 ± .015 [54.61]
50	3365/50	2.500 ± .020 [63.50]	2.450 ± .015 [62.23]
60	3365/60	3.000 ± .020 [76.20]	2.950 ± .015 [74.93]
64	3365/64	3.200 ± .020 [81.28]	3.150 ± .015 [80.01]



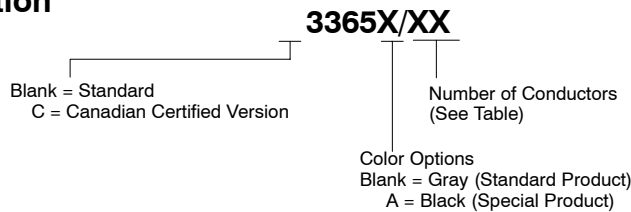
Inch
[mm]

Tolerance Unless Noted			
	.0	.00	.000
Inch	± .1	± .01	± .005

[] Dimensions for Reference Only

Note: Red marking on one edge of cable designates wire #1.

Ordering Information



Note:

1. Available in standard lengths of 100 feet, 300 feet, 30 meters or 100 meters per roll, please specify when ordering.

TS-0080-14
Sheet 2 of 2

Important Notice

All statements, technical information, and recommendations related to 3M's products are based on information believed to be reliable, but the accuracy or completeness is not guaranteed. Before using this product, you must evaluate it and determine if it is suitable for your intended application. You assume all risks and liability associated with such use. Any statements related to the product which are not contained in 3M's current publications, or any contrary statements contained on your purchase order shall have no force or effect unless expressly agreed upon, in writing, by an authorized officer of 3M.



Electronic Solutions Division

6801 River Place Blvd.
Austin, TX 78726-9000
www.3M.com/esd

Warranty; Limited Remedy; Limited Liability.

This product will be free from defects in material and manufacture for a period of 1 year from the date of purchase. **3M MAKES NO OTHER WARRANTIES INCLUDING, BUT NOT LIMITED TO, ANY IMPLIED WARRANTY OF MERCHANTABILITY OR FITNESS FOR A PARTICULAR PURPOSE.** If this product is defective within the warranty period stated above, your exclusive remedy shall be, at 3M's option, to replace or repair the 3M product or refund the purchase price of the 3M product. **Except where prohibited by law, 3M will not be liable for any loss or damage arising from this 3M product, whether direct, indirect, special, incidental or consequential regardless of the legal theory asserted.**