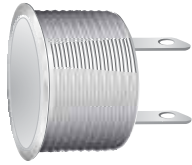
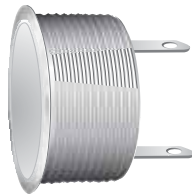


Measure : mm



MSW-1801



MSW-2401

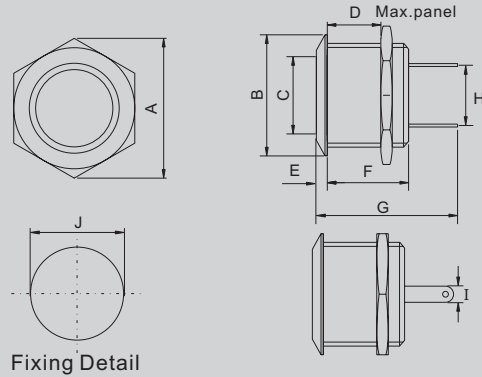


MSW-1802

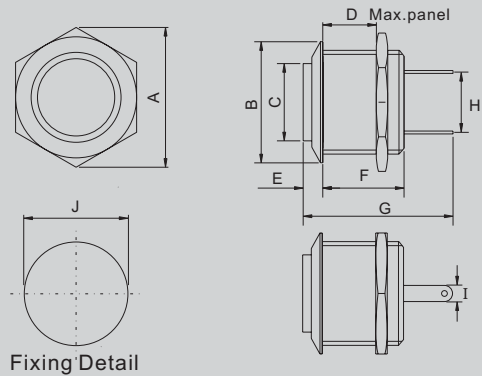


MSW-2402

MSW-1801;MSW-2401



MSW-1802;MSW-2402



LIST NO. / DIMENSIONS	MSW-1801	MSW-2401	MSW-1802	MSW-2402
A	25	34.4	25	34.4
B	∅22	∅27.0	∅22	∅27.0
C	∅14.2	∅18.0	∅14.2	∅18.0
D	13.0	13.0	13.0	13.0
E	1.9	1.9	2.9	2.9
F	14.1	14.1	14.1	14.1
G	25	25	26	26
H	11.5	13.2	11.5	13.2
I	2.8	2.8	2.8	2.8
J	∅18.2	∅24.2	∅18.2	∅24.2

SPECIFICATION:

- | | |
|--------------------------------|--------------------------|
| 1. Terminations : | solder tags |
| 2. Max. rating : | 5mA 12V DC |
| 3. Initial contact resistance: | 1KΩ Max. |
| 4. Operating temp. range : | -20°C ~ +70°C |
| 5. Materials | |
| tags/terminals: | brass, tin plated |
| switch body & button: | stainless steel |
| 6. Operating life(5mA 5V DC): | 1X10 ⁵ cycles |
| 7. Trave(mm): | 2.0 |