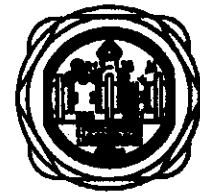
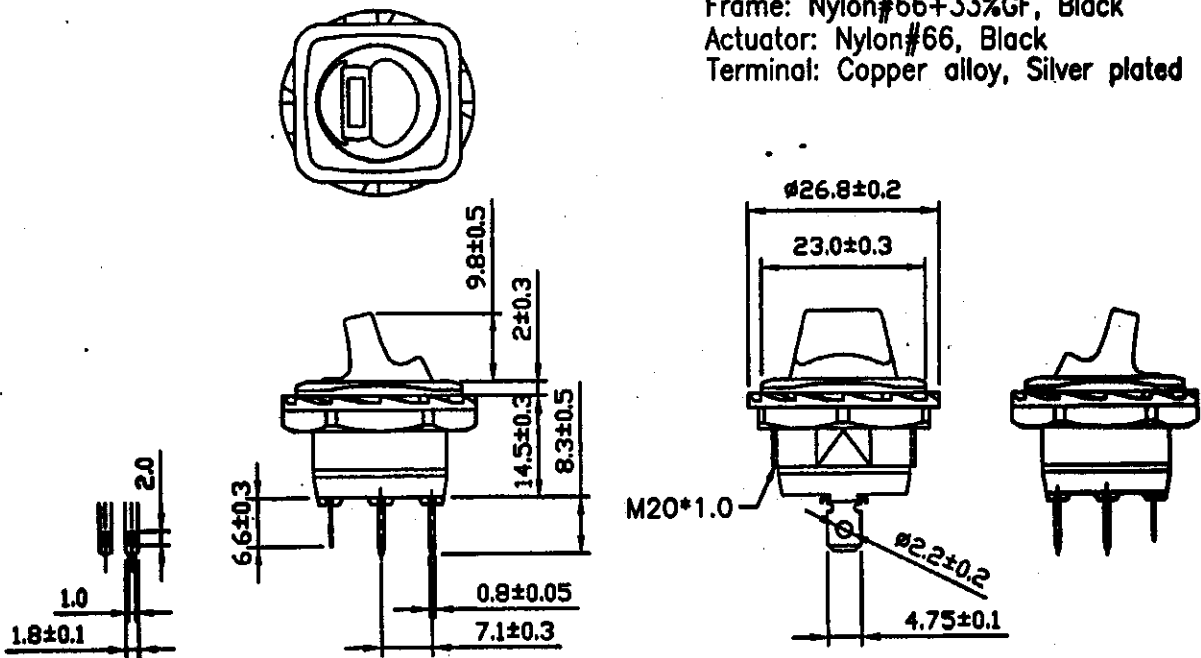


Rating	10A 125V AC	Mounting Hole	Diagram
	6A 250V AC		
Contact Resistance	50m ohm Max.		
Insulation Resistance	DC 500V 100M ohm Min.		
Dielectric Strength	AC 1500V 1 minute		
Operation Tempure	-20°C~85°C		
Switch Function	4P SPST ON-OFF with LED		

※Material

Frame: Nylon#66+33%GF, Black
 Actuator: Nylon#66, Black
 Terminal: Copper alloy, Silver plated



1810465	Yellow
1810463	Green
1810459	Red
SCI NO.	LED Color

D/Project/R13-135LP

△							
△	Date	Name	Description				
Drawn	Checked	Approved	SCI No.	SEE TABLE	Model Name	TOGGLE SWITCH	
徐洲迎	李元生		Customer No.		Model No.	R13-135LP-01	
6/28/07			Unit		SHIN CHIN INDUSTRIAL CO., LTD.		