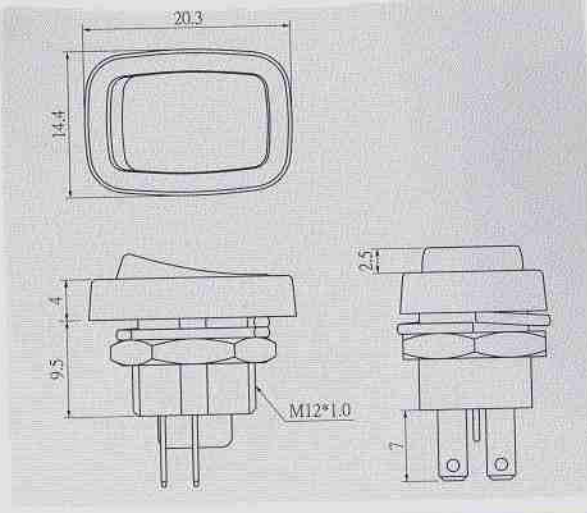


# R13-213



### Rating

6A 125V AC  
3A 250V AC

### Contact resistance

50mΩ Max

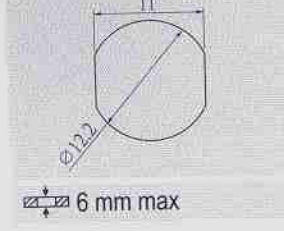
### Insulation resistance

DC 500V 100MΩ Min

### Dielectric strength

AC 1000V 1 minute

### Cut-out

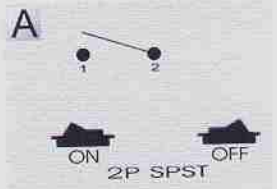


### FEATURES

- \* MATERIAL: Frames are nylon (UL flame: 94V-2). Terminals are silver plated brass.
- \* Specially for compact room design.

# R13-213

FUNCTION	TERMINAL
----------	----------



0 3 .110" SQ

