

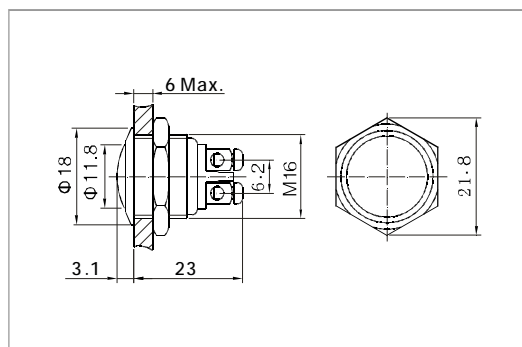
# ANTI-VANDAL PUSHBUTTONS

## PUSH BUTTON SWITCH



GQ16-B

- ⊙  $\Phi$  16mm diameter
- ⊙ 2A/48VDC
- ⊙ 1NO
- ⊙ The Front Shape:Domed
- ⊙ The crust material:Stainless Steel/  
Brass(Nikel Plated, Gold Plated)
- ⊙ IP Degree:IP65

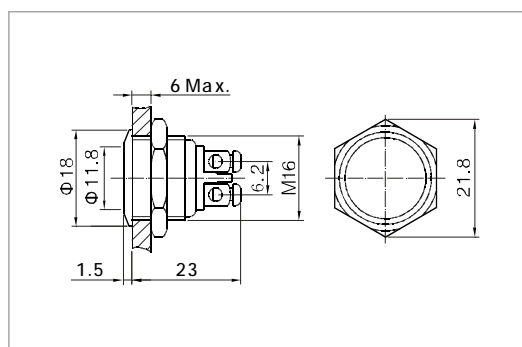


## PUSH BUTTON SWITCH



GQ16-F

- ⊙  $\Phi$  16mm diameter
- ⊙ 2A/48VDC
- ⊙ 1NO
- ⊙ The Front Shape:Flat Round
- ⊙ The crust material:Stainless Steel/  
Brass(Nikel Plated, Gold Plated)
- ⊙ IP Degree:IP65

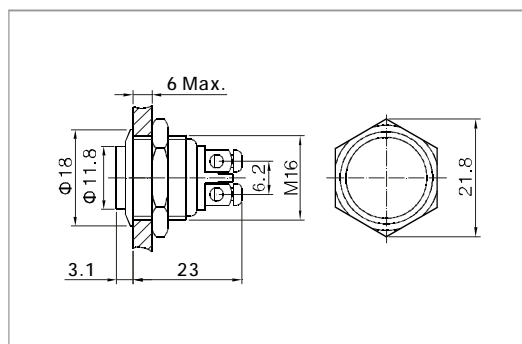


## PUSH BUTTON SWITCH



GQ16-H

- ⊙  $\Phi$  16mm diameter
- ⊙ 2A/48VDC
- ⊙ 1NO
- ⊙ The Front Shape:High Round
- ⊙ The crust material:Stainless Steel/  
Brass(Nikel Plated, Gold Plated)
- ⊙ IP Degree:IP65



Specification	GQ16-B	GQ16-F	GQ16-H
The Front Shape	Domed	Flat Round	High Round
Terminal Type	Screw Terminals	Screw Terminals	Screw Terminals
Switching	No.1	No.1	No.1
Max.Switch Rating	2A/48VDC	2A/48VDC	2A/48VDC
Contact Resistance	$\leq 50m\Omega$	$\leq 50m\Omega$	$\leq 50m\Omega$
Insulation Resistance	$\geq 1000M\Omega$	$\geq 1000M\Omega$	$\geq 1000M\Omega$
Dielectric Strength	2000VAC	2000VAC	2000VAC
Operation Temp.	-20°C ~ +70°C	-20°C ~ +70°C	-20°C ~ +70°C
Mechanical Life	1,000,000cycles	1,000,000cycles	1,000,000cycles
Electrical Life	200,000cycles	200,000cycles	200,000cycles
Contact Material	Silver Alloy	Silver Alloy	Silver Alloy
Panel Thickness	1 ~ 6mm	1 ~ 6mm	1 ~ 6mm
Torque	5 ~ 14Nm	5 ~ 14Nm	5 ~ 14Nm
Operation Temp.	5.5N	5.5N	5.5N
IP Degree	IP65	IP65	IP65
Material	Button	Stainless Steel/Brass(Nikel Plated, Gold Plated)	Stainless Steel/Brass(Nikel Plated, Gold Plated)
	Body	Stainless Steel/Brass(Nikel Plated, Gold Plated)	Stainless Steel/Brass(Nikel Plated, Gold Plated)
	Base	PBT	PBT
RoHS	Made to order	Made to order	Made to order