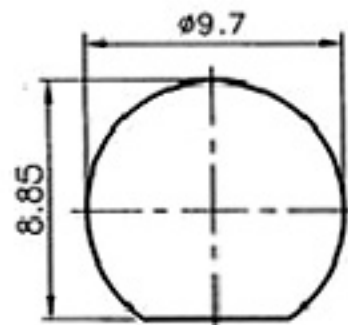


REVISIONS

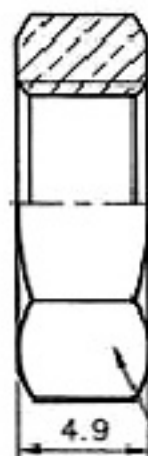
ISS	SYMBOL	DESCRIPTION	DATE
A1		由R7035-BNDG002 变更\07/10/07*	

FOR CUSTOMER

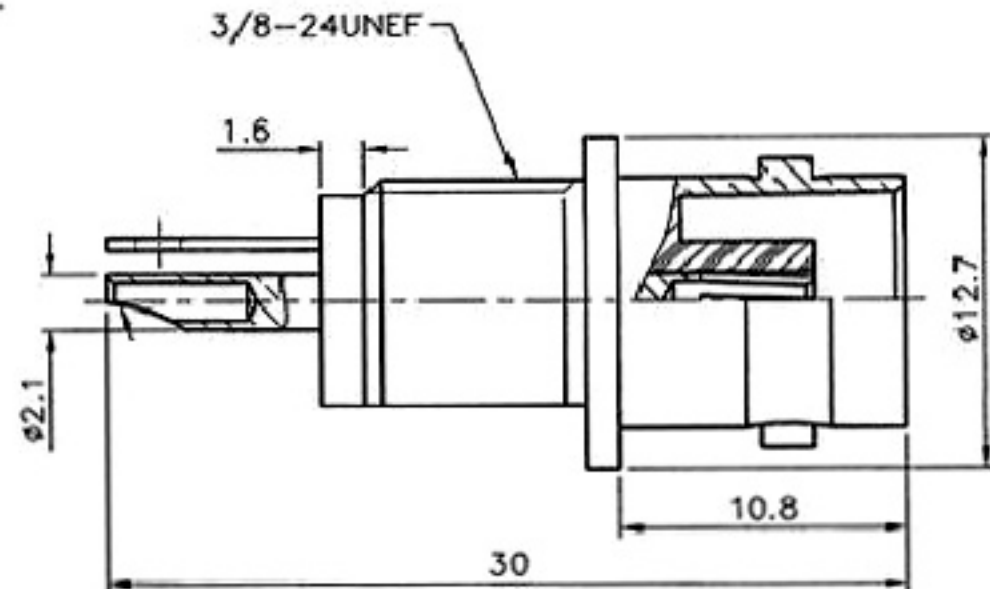
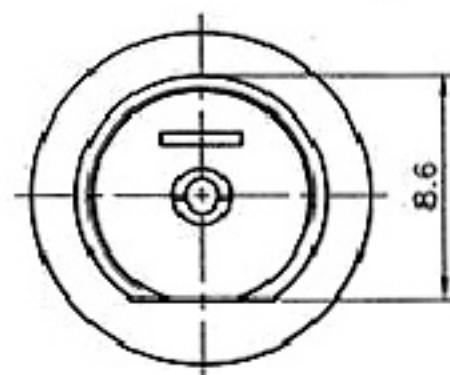
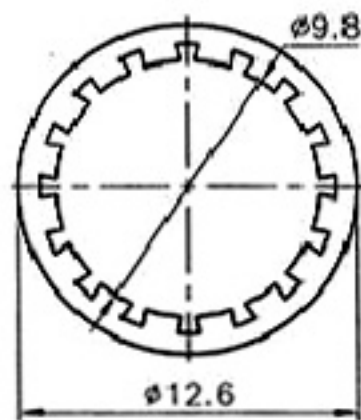
REMARK: RoHS COMPLIANT



RECOMMENDED MOUNTING HOLE



12.7 HEX



NOTES: FINISH (PLATING THICKNESS IN MICRO-INCHES)

1. BRASS PER QQ-B-626
2. NICKEL PL 70 MIN THICK OVER COPPER STRIKE
3. GOLD PL 3 MIN OVER NICKEL PL 70 MIN THICK OVER COPPER STRIKE
4. PHOSPHOR BRONZE PER QQ-B-750

1. MAX. PANEL THICKNESS=2.4mm

NO.	DESCRIPTION	MATERIAL	FINISH	Q'TY	DRAWING NO.	SCALE	3/1	ISSUE	A1	PART NO.	TITLE
	NUT		NOTE 1	NOTE 2						Best No. 734950 BNC ISOLATED BULKHEAD RECEPT JACK (50 ohms) DRAWING NO. 7069YS501FU003B FILE NO.	
	WASHER		SS41	NOTE 2							
	CONTACT PIN		NOTE 4	NOTE 3							
	INSULATOR		ABS	WHITE							
	LOCK RING		NOTE 1	NOTE 2							
	GROUNDING TAG		NOTE 1	NOTE 2							
	BODY		NOTE 1	NOTE 2							
						DIMENSIONS ARE IN MILLIMETERS UNLESS OTHERWISE SPECIFIED TOLERANCES (一般公差) 0.5~6 = ±0.2 >6~30 = ±0.4 >30~120 = ±0.6 >120~315 = ±1 >315~1000 = ±1.6 ANGLES(角度) = ±5°				APPROVED DATE 07/10/07* CHECKED DATE 07/10/07* DRAWN DATE Avel 07/10/07*	